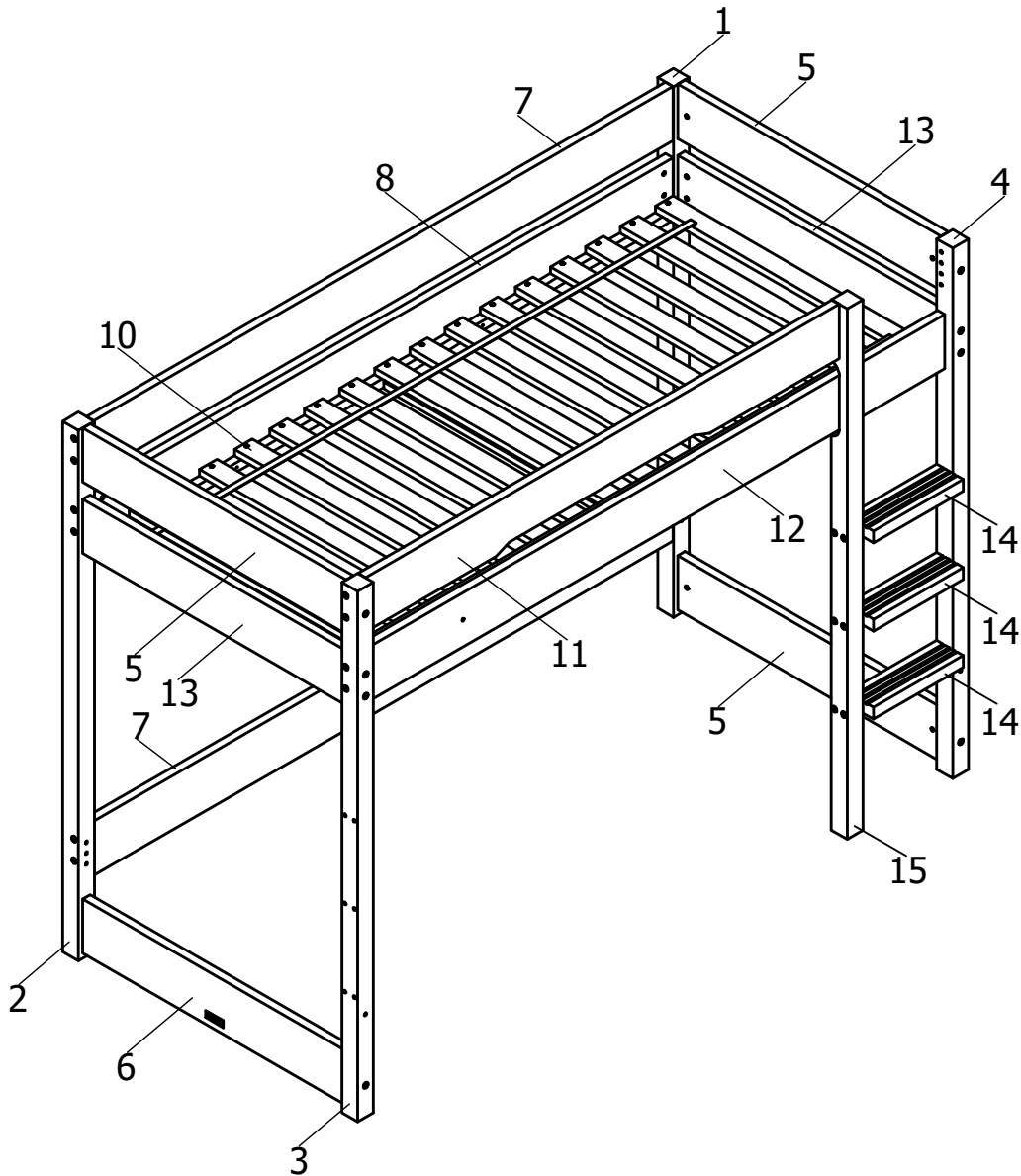


bopita®

ASSEMBLY INSTRUCTION
MONTAGE HANDLEIDING
MONTAGE ANLEITUNG
NOTICE DE MONTAGE
MANUAL DE MONTAJE

UK
NL
D
F
ESP

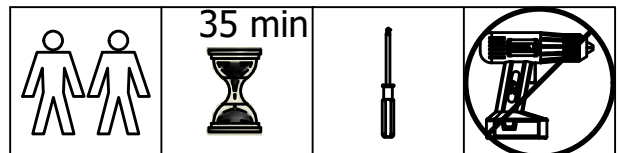
MODEL : LUCAS
TYPE : HIGHSLEEPER
COLOUR : MATT BLACK/NATURAL
ART.CODE : 129232.19






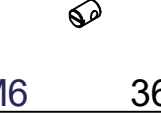
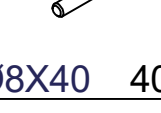


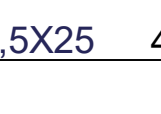

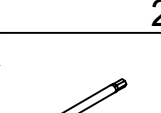
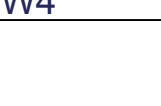
Distributor:

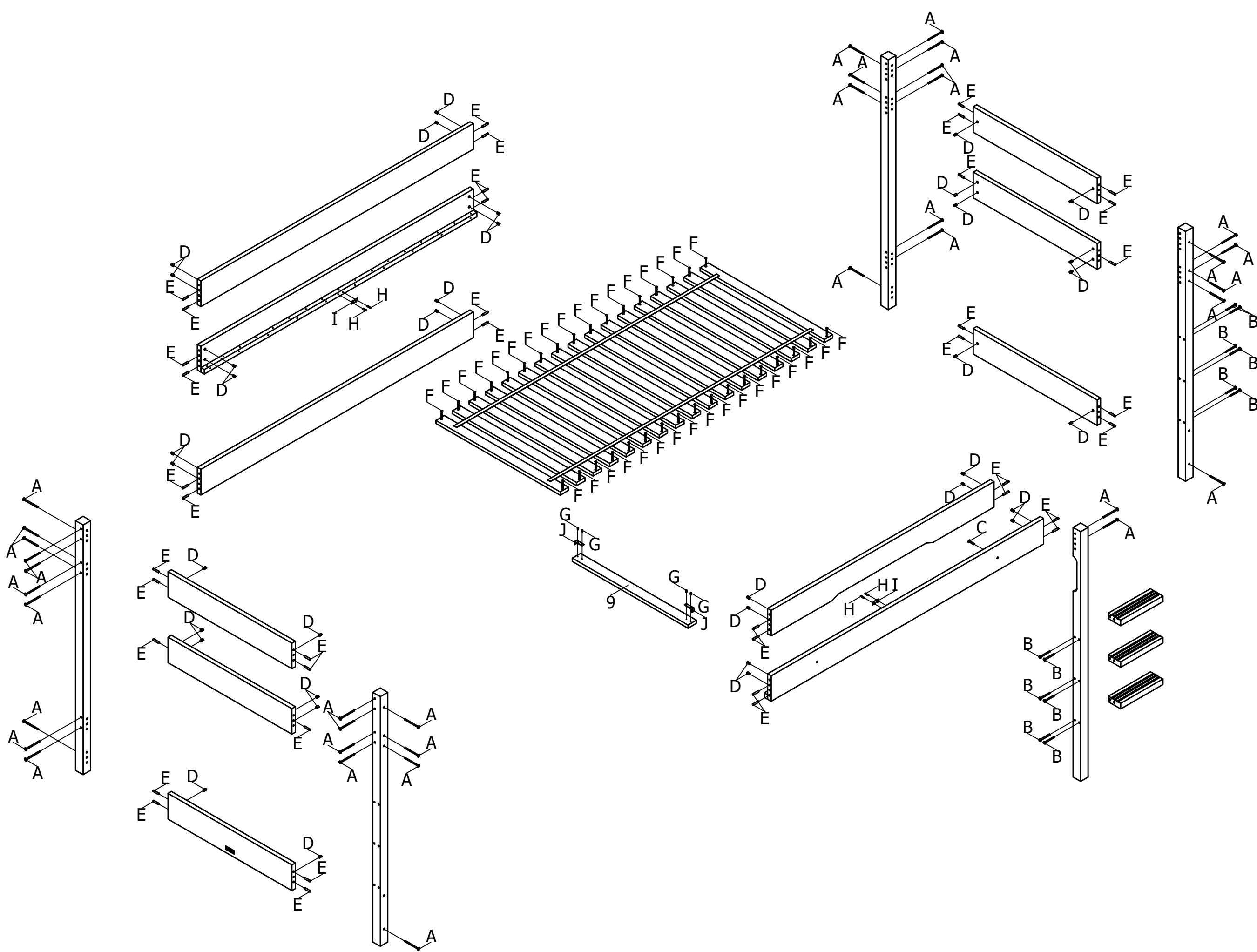
BOPITA
Edisonweg 3, 6662 NW Elst
The Netherlands

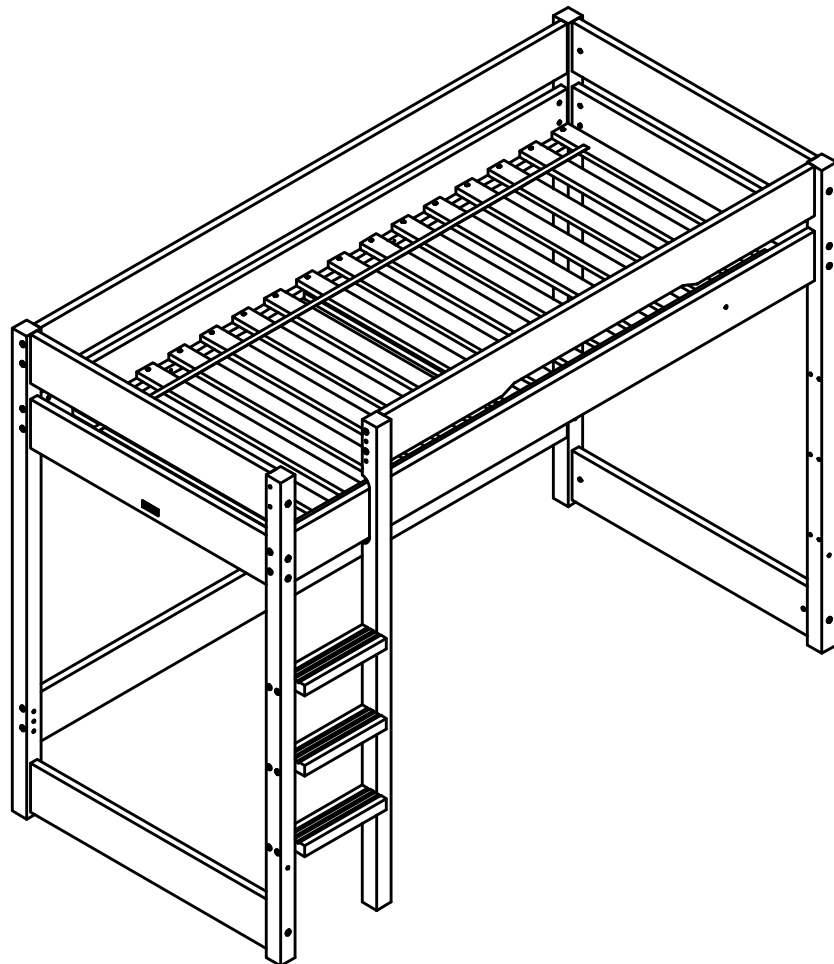
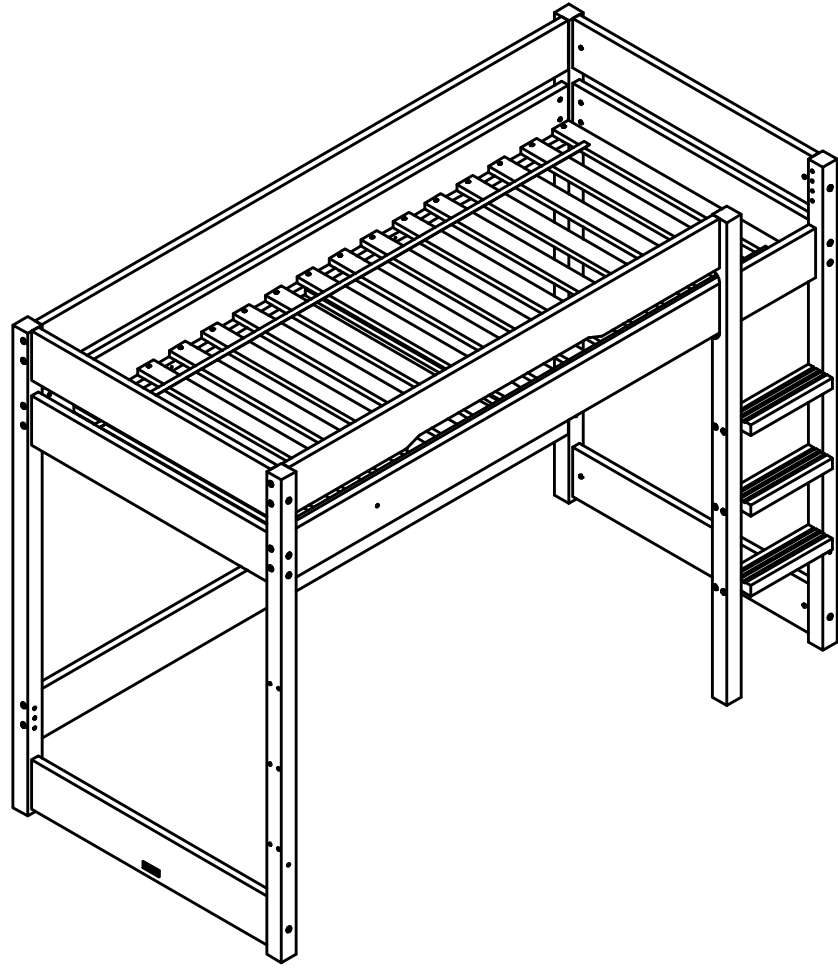
www.bopita.com

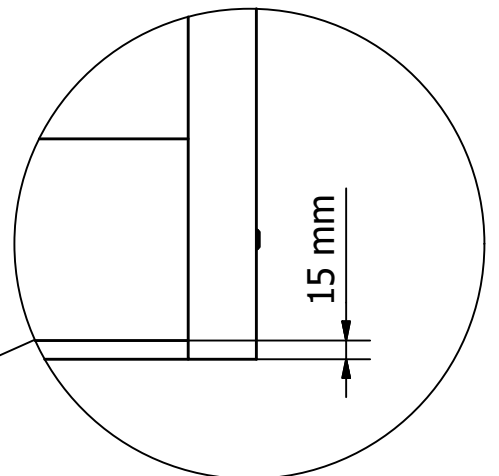
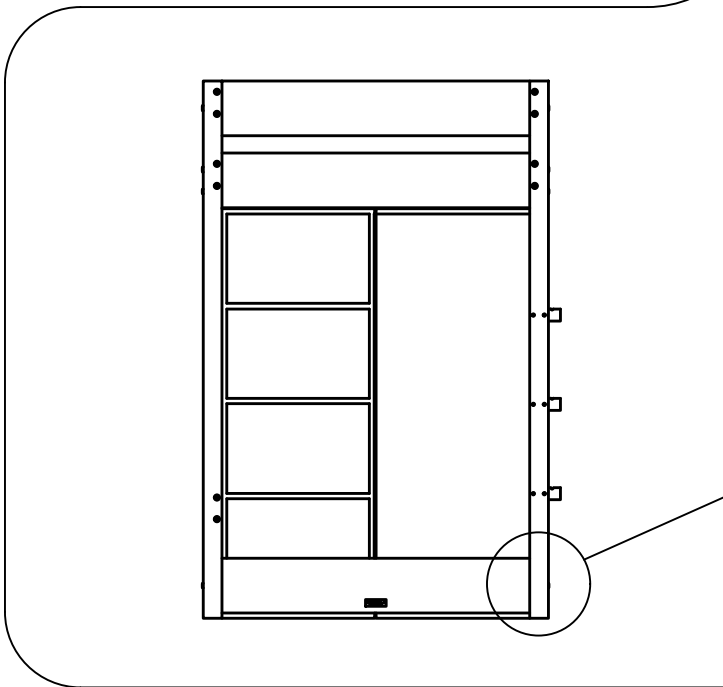
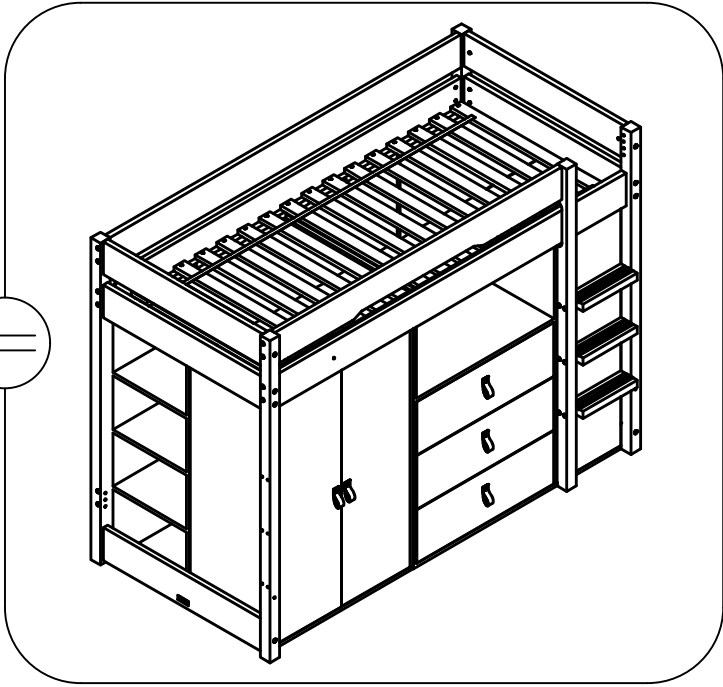
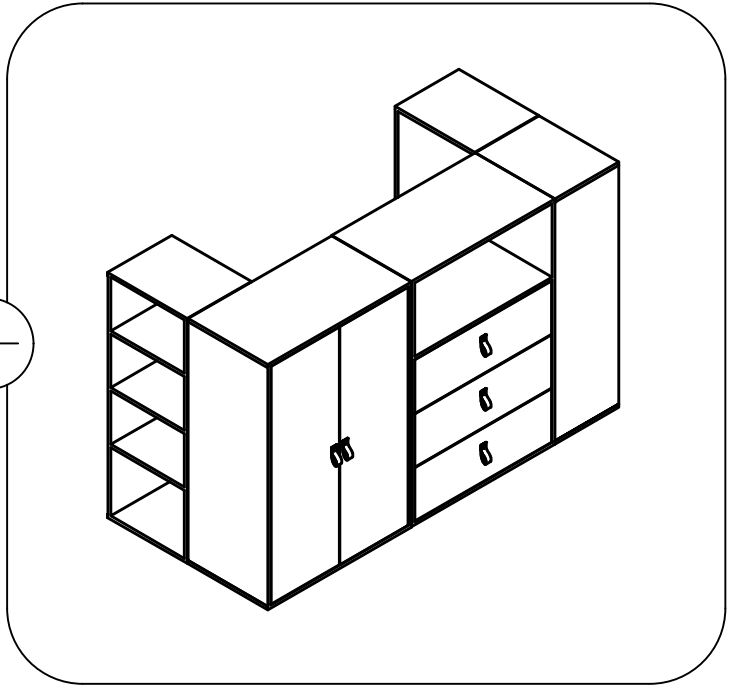
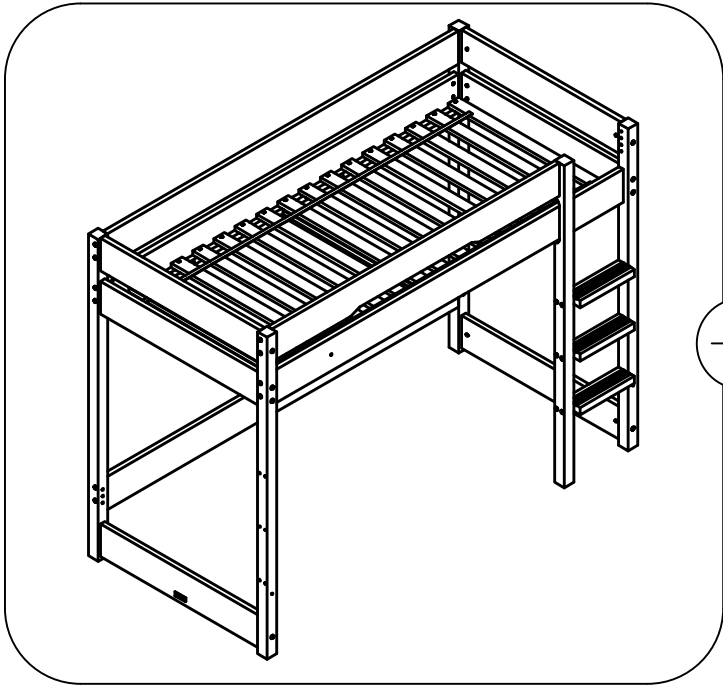


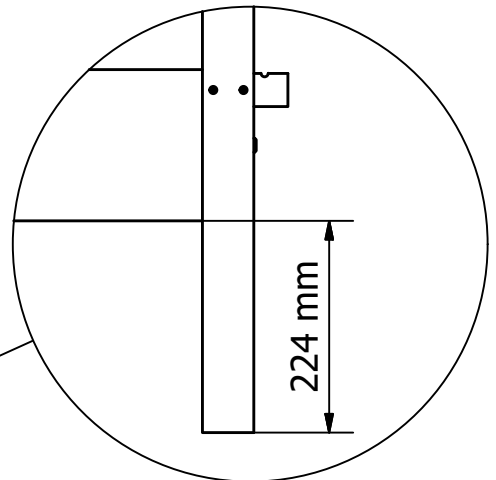
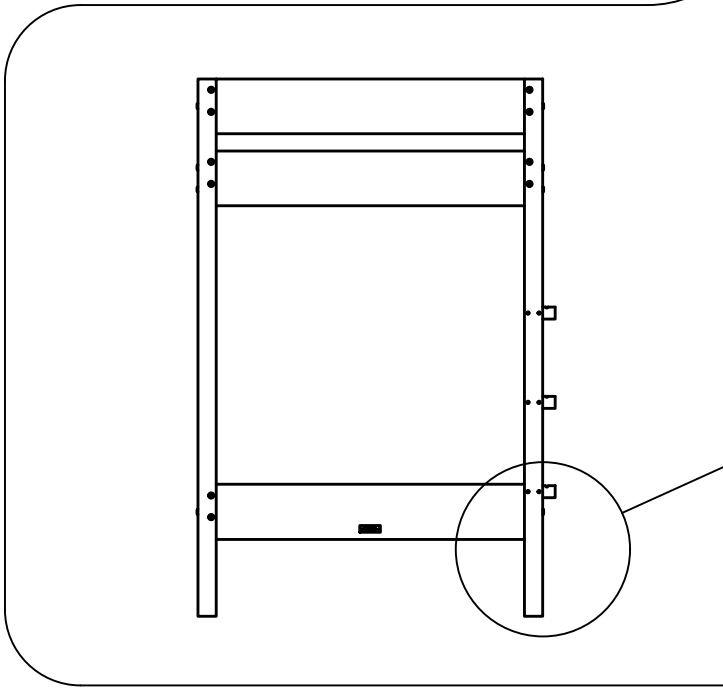
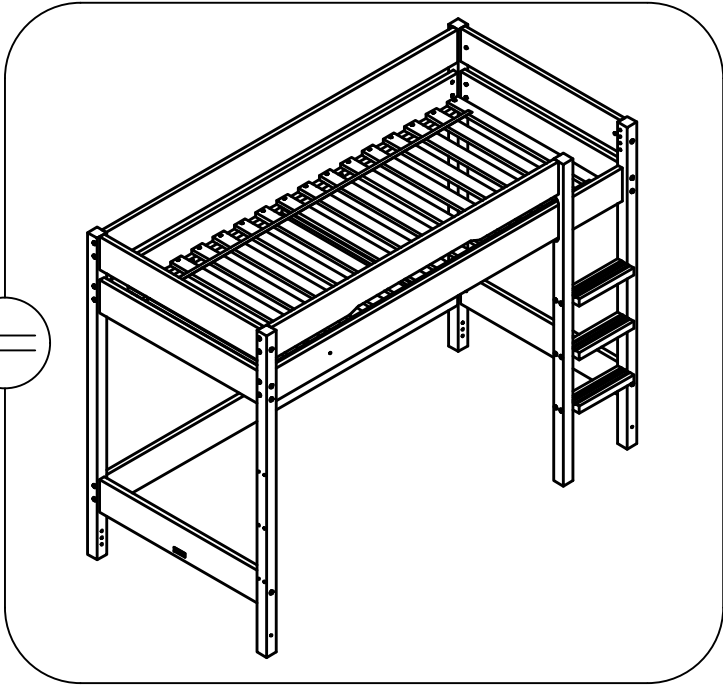
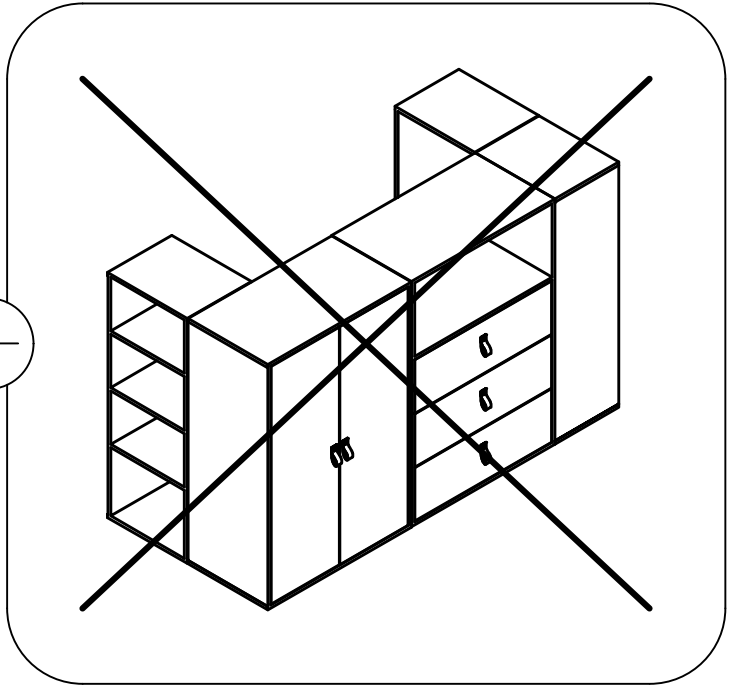
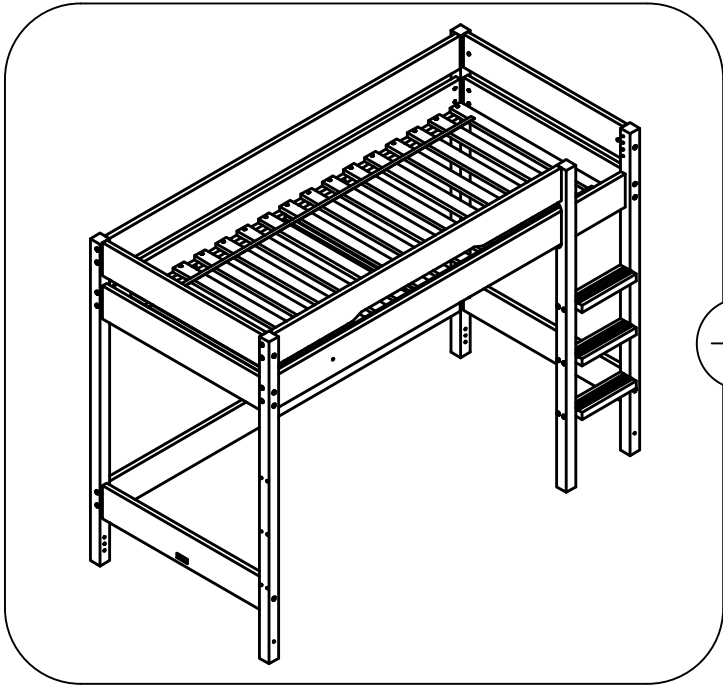
15.03.2023.

A	
M6X100	36X
B	
M6X70	12X
C	
M6X35	1X
D	
M6	36X
E	
Ø8X40	40X
F	
5X40	34X
G	
3,5X16	4X
H	
3,5X25	4X
I	
	2X
J	
	2X
K	
SW4	1X

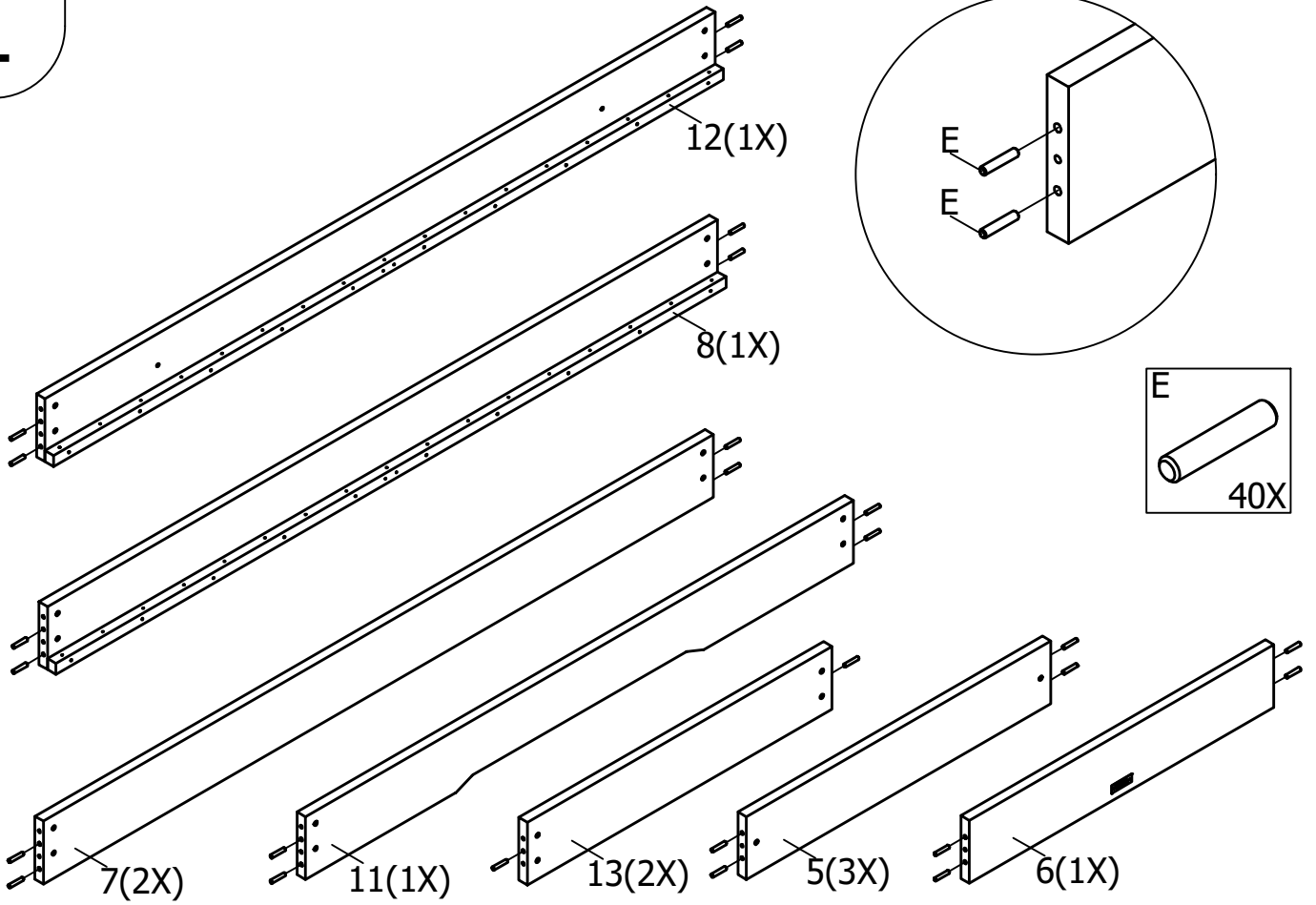




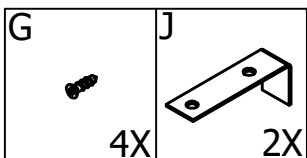
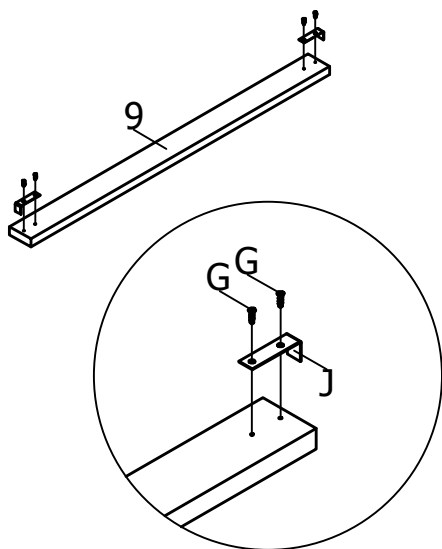




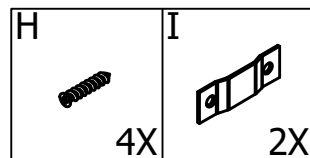
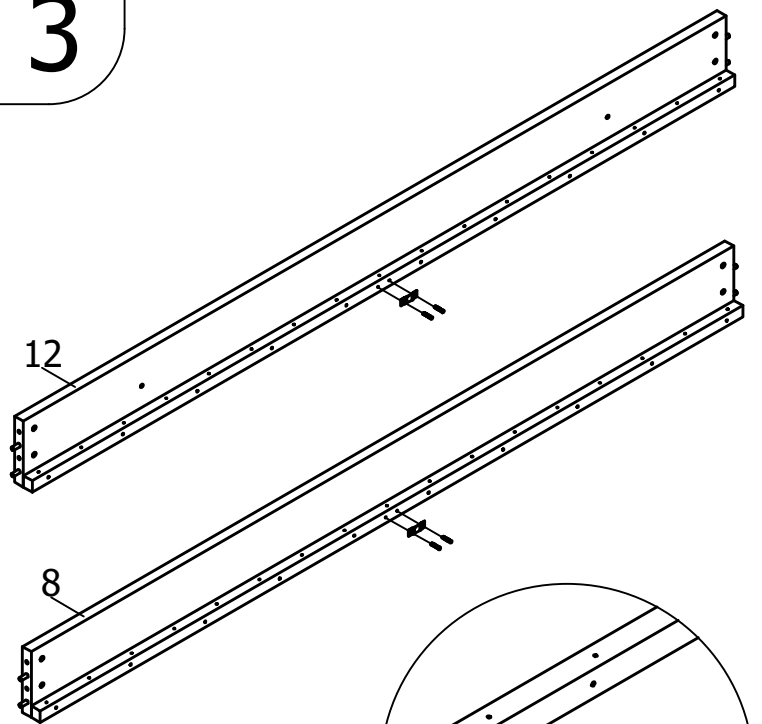
1



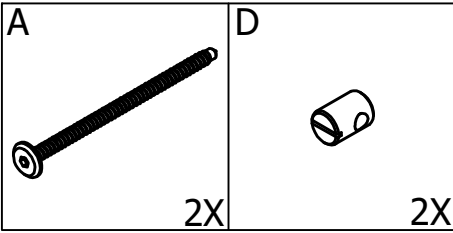
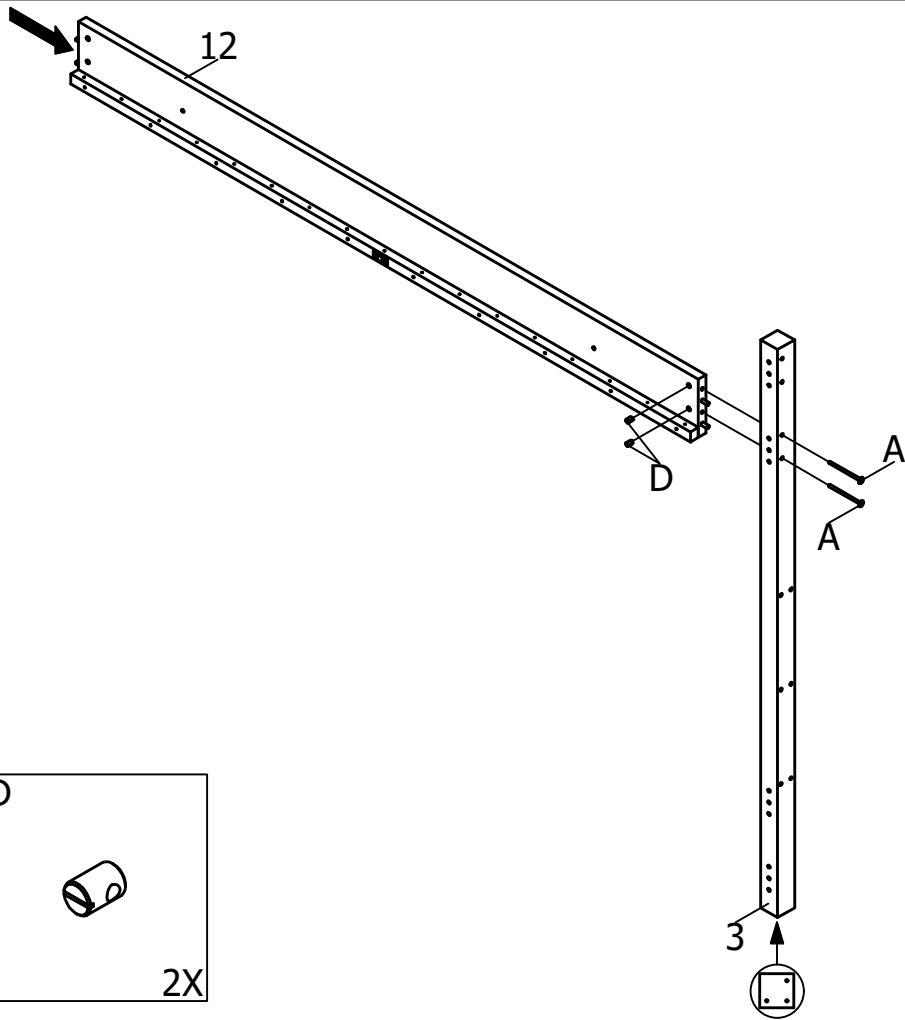
2



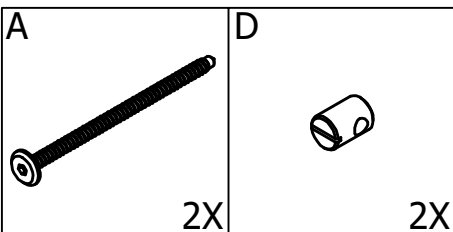
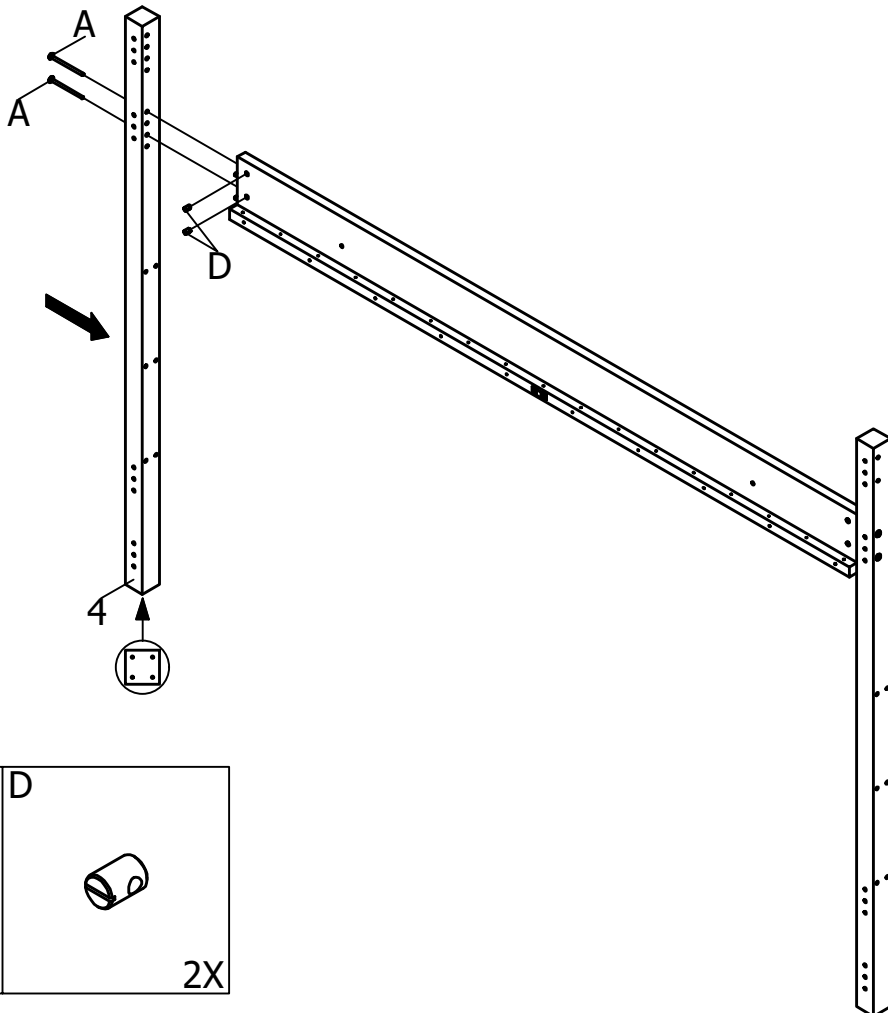
3



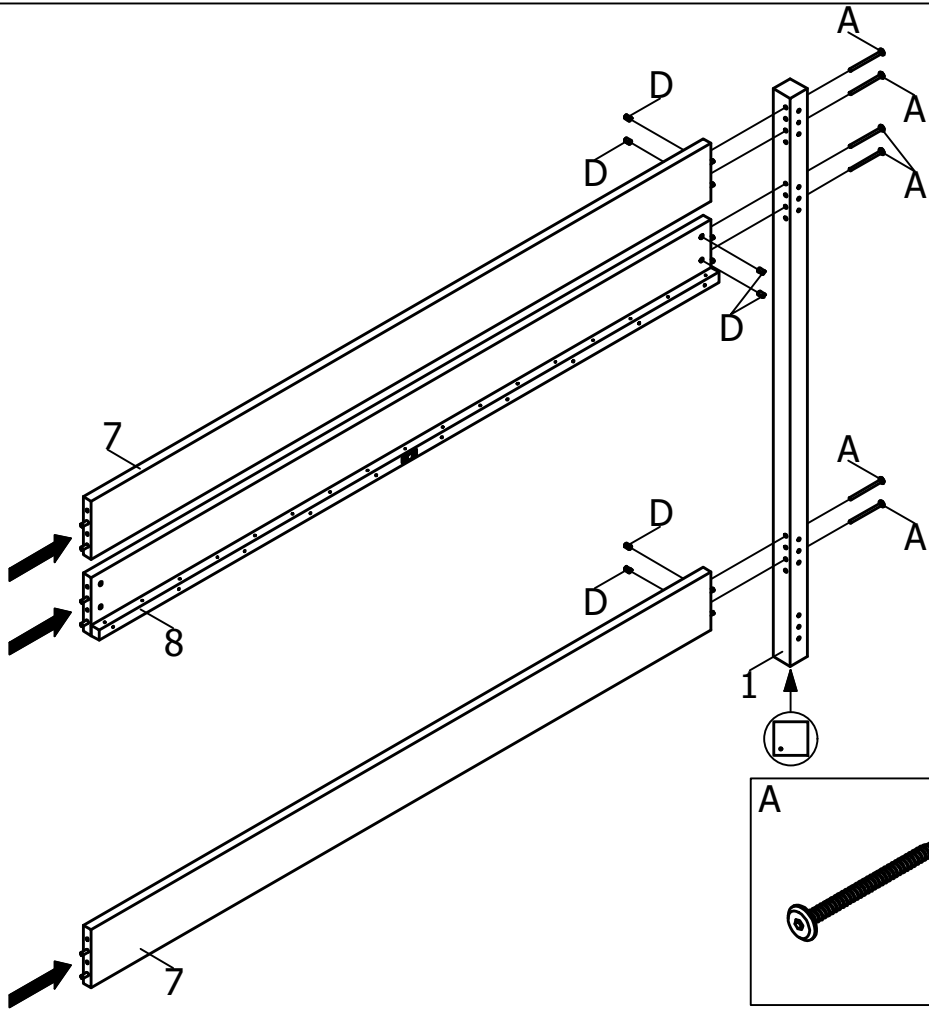
4



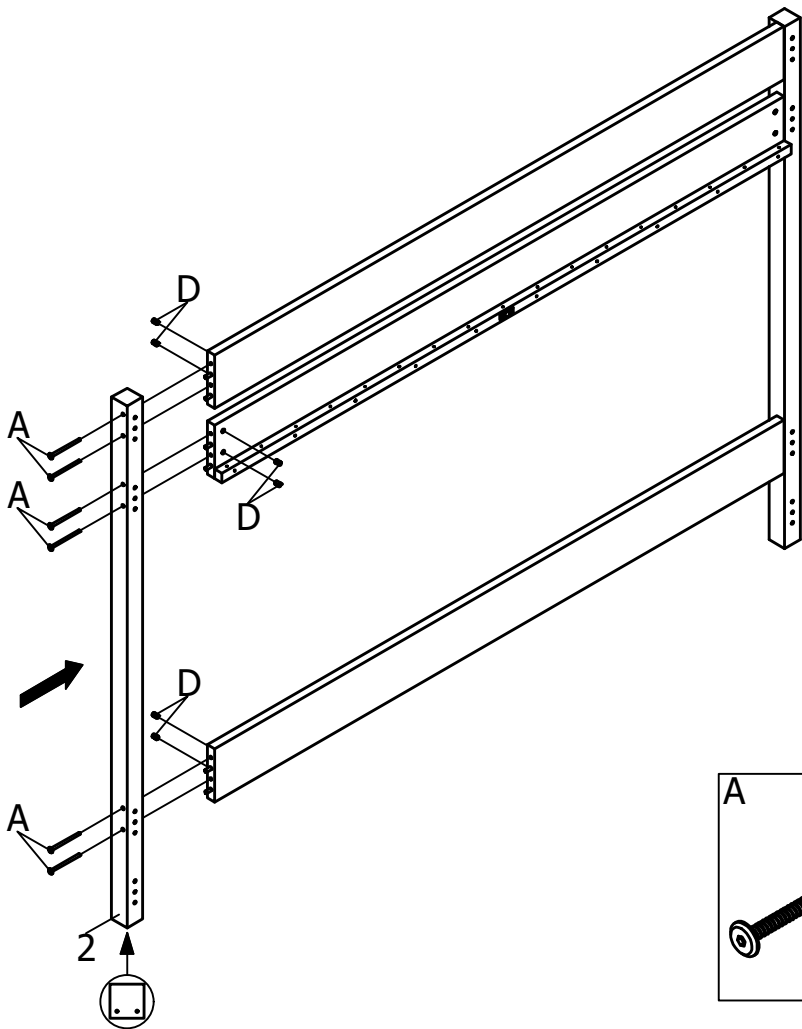
5



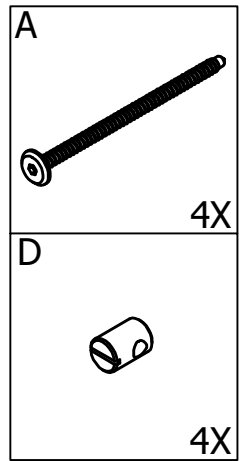
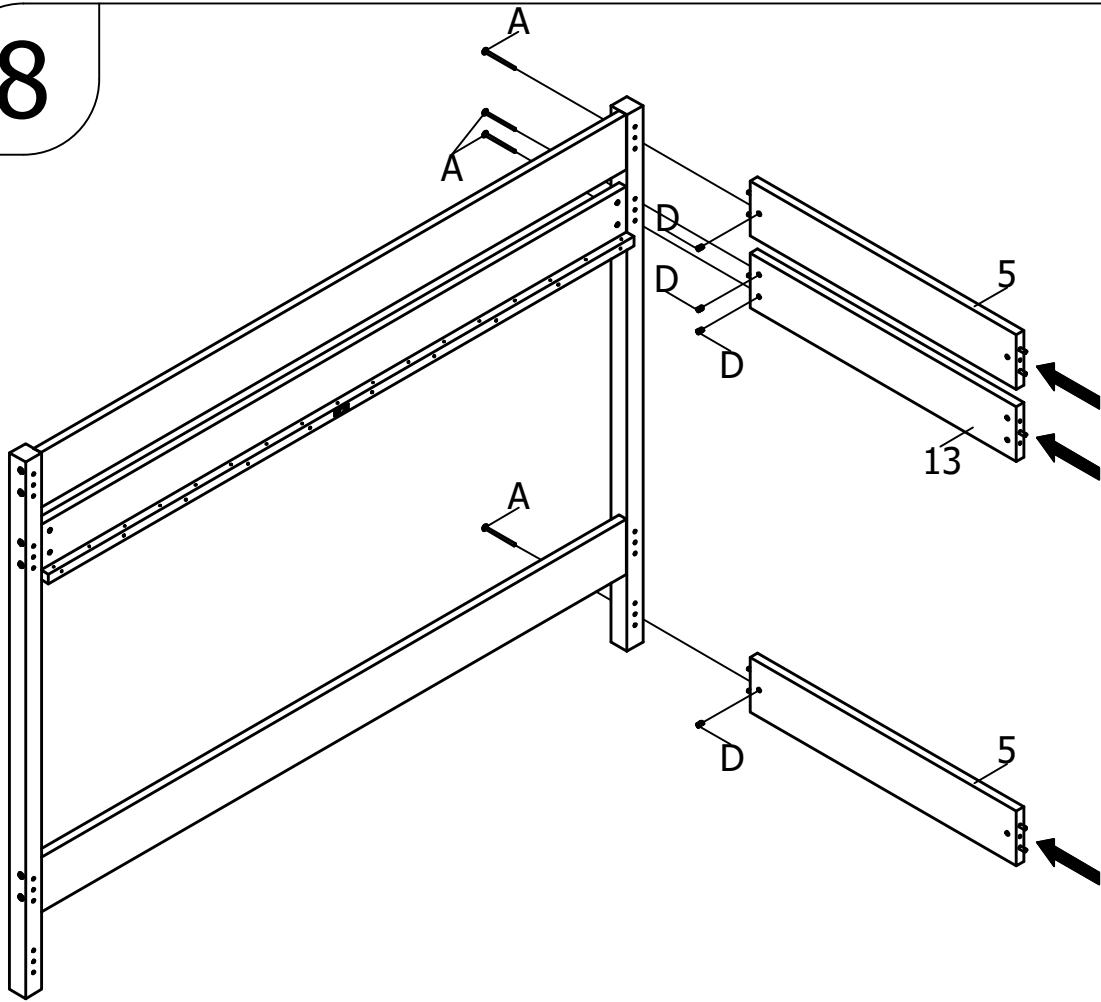
6



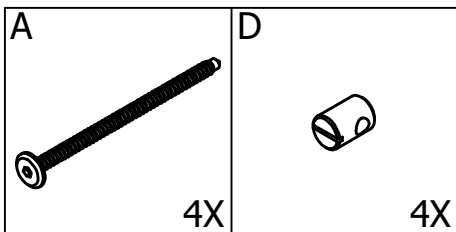
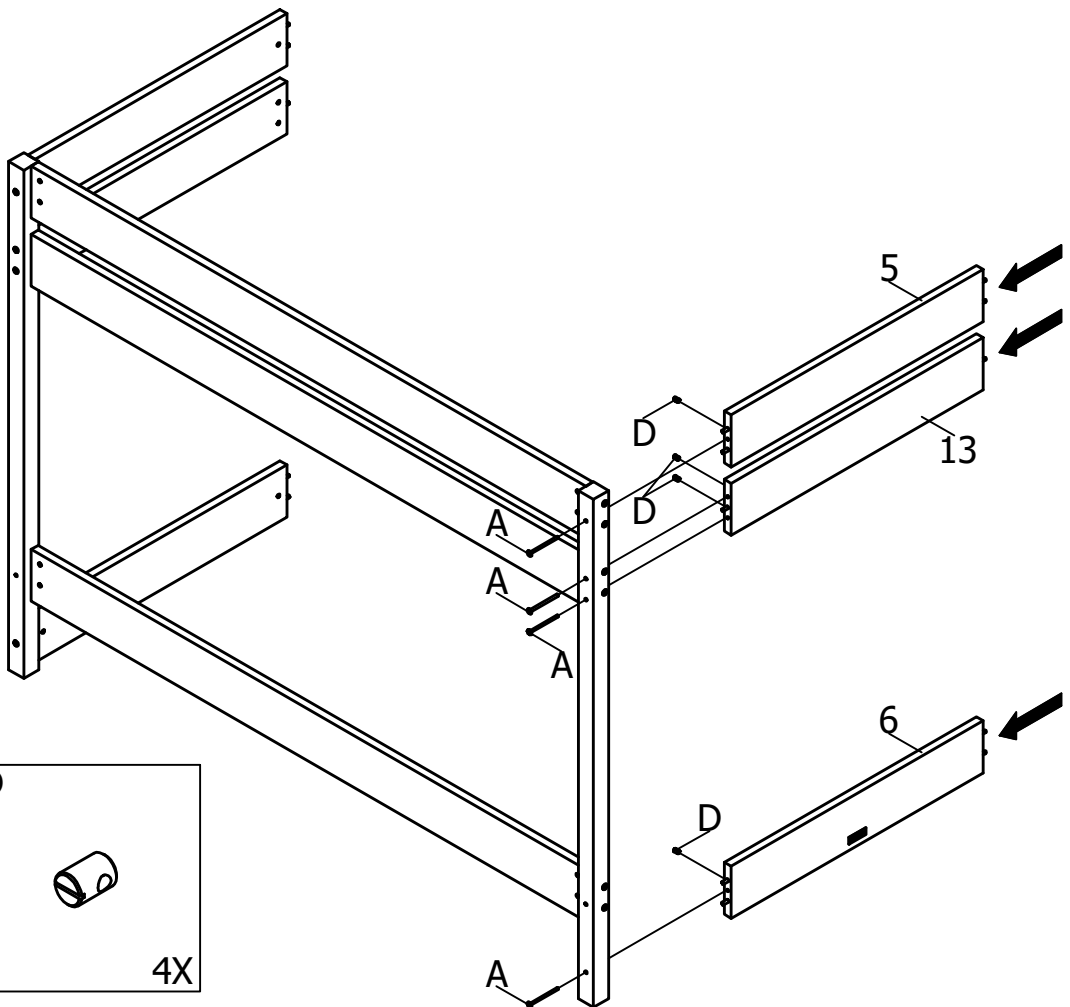
7



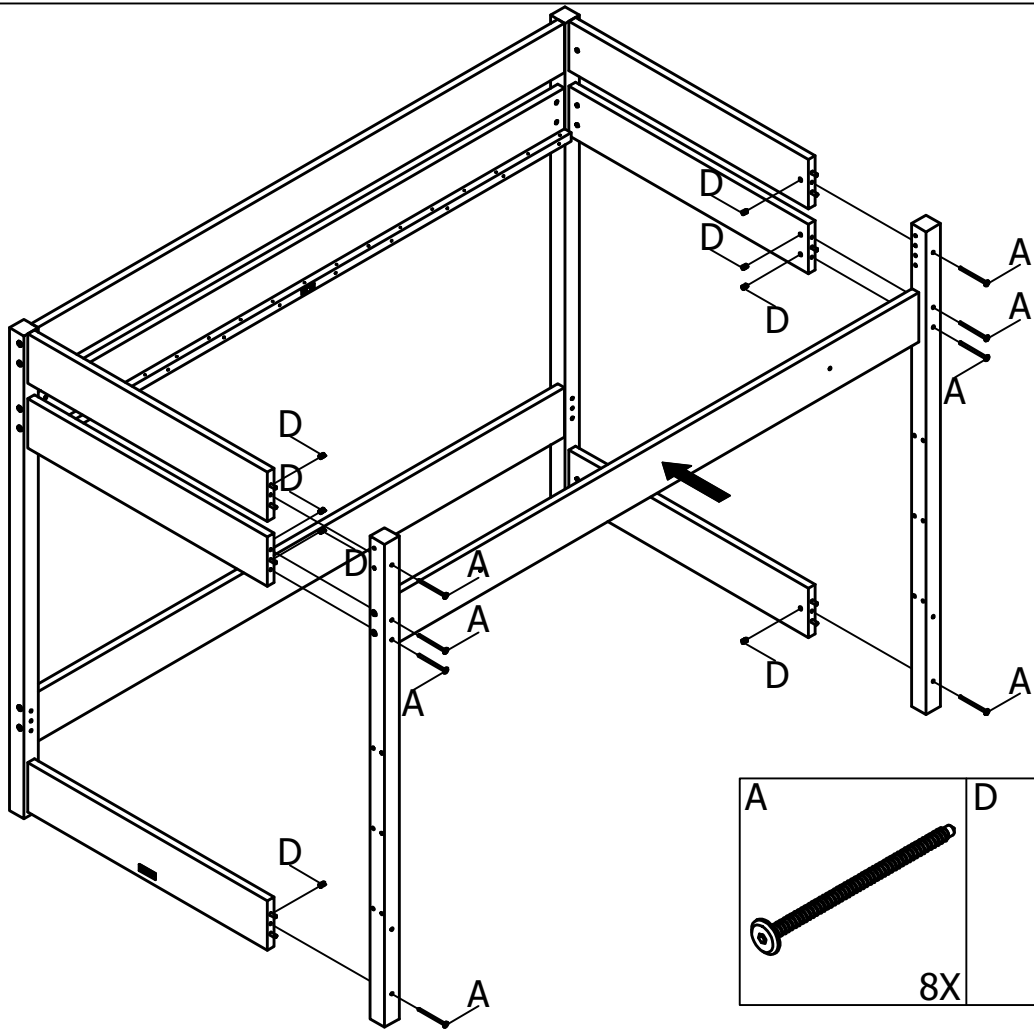
8



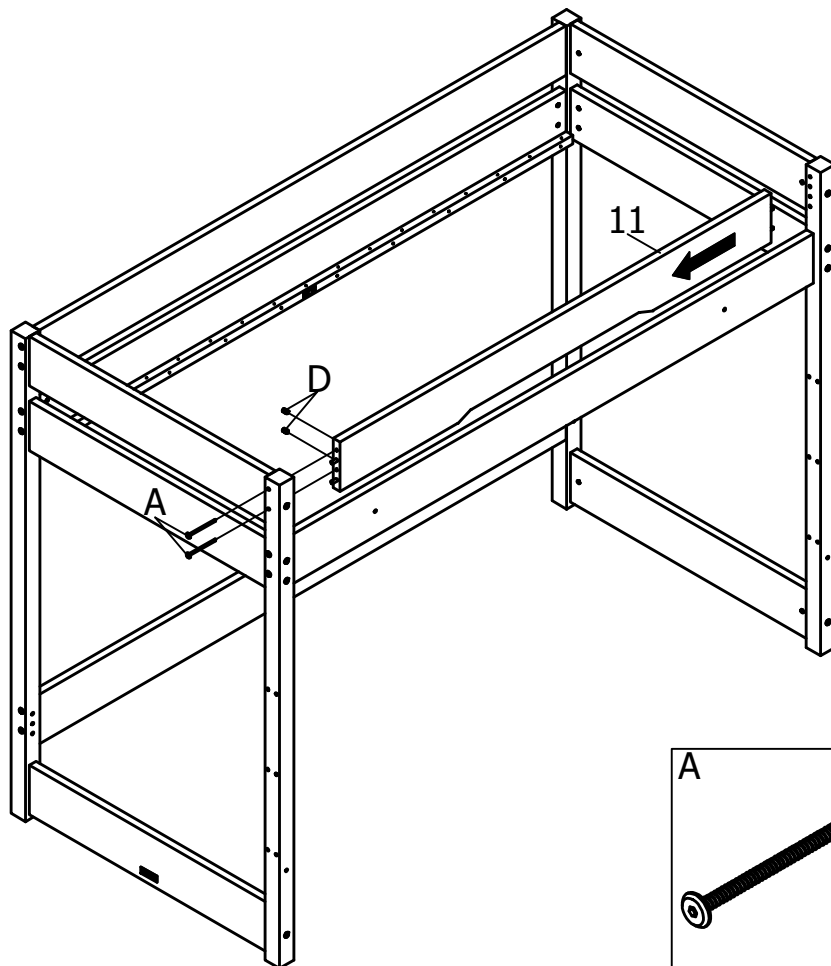
9



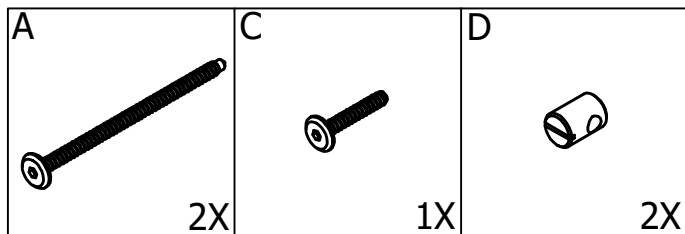
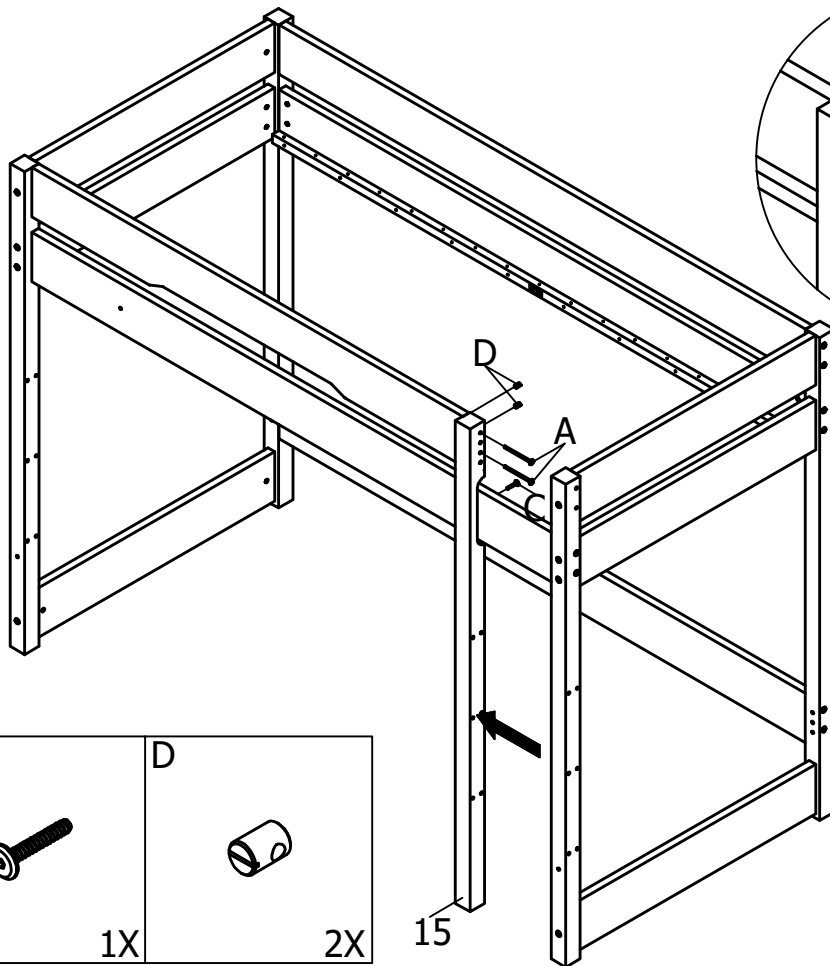
10



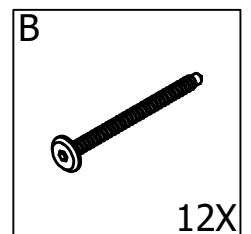
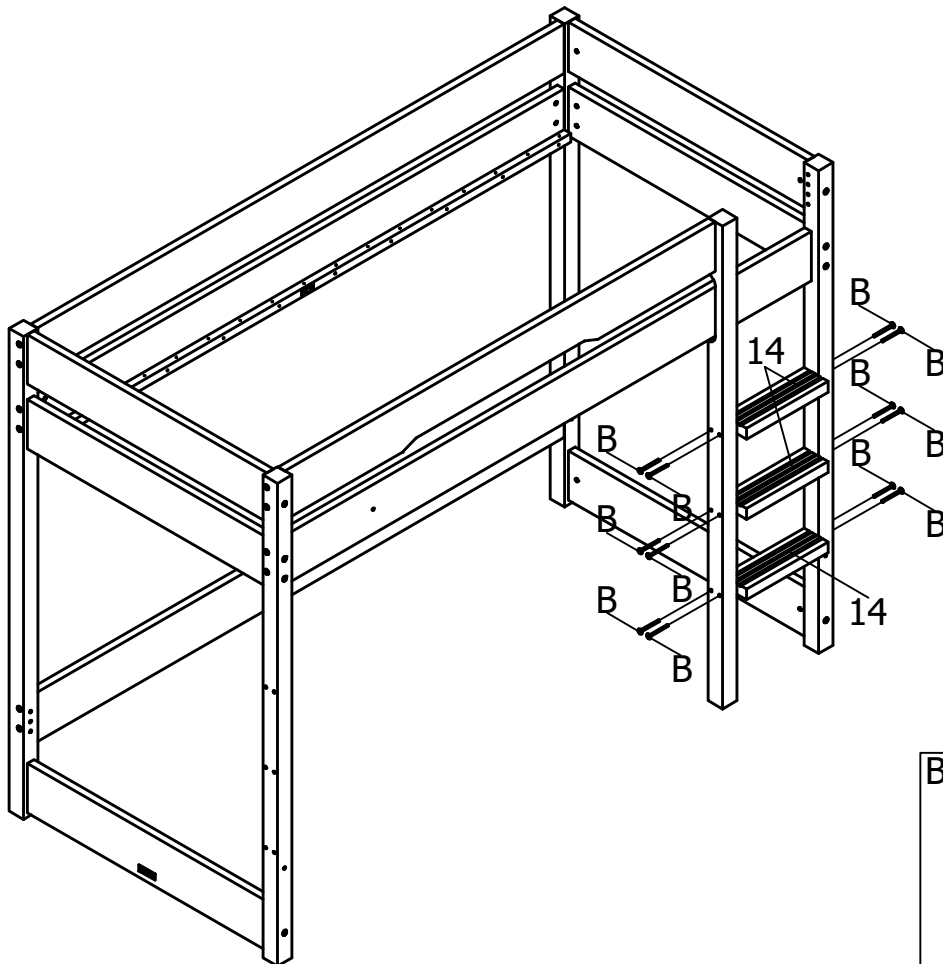
11



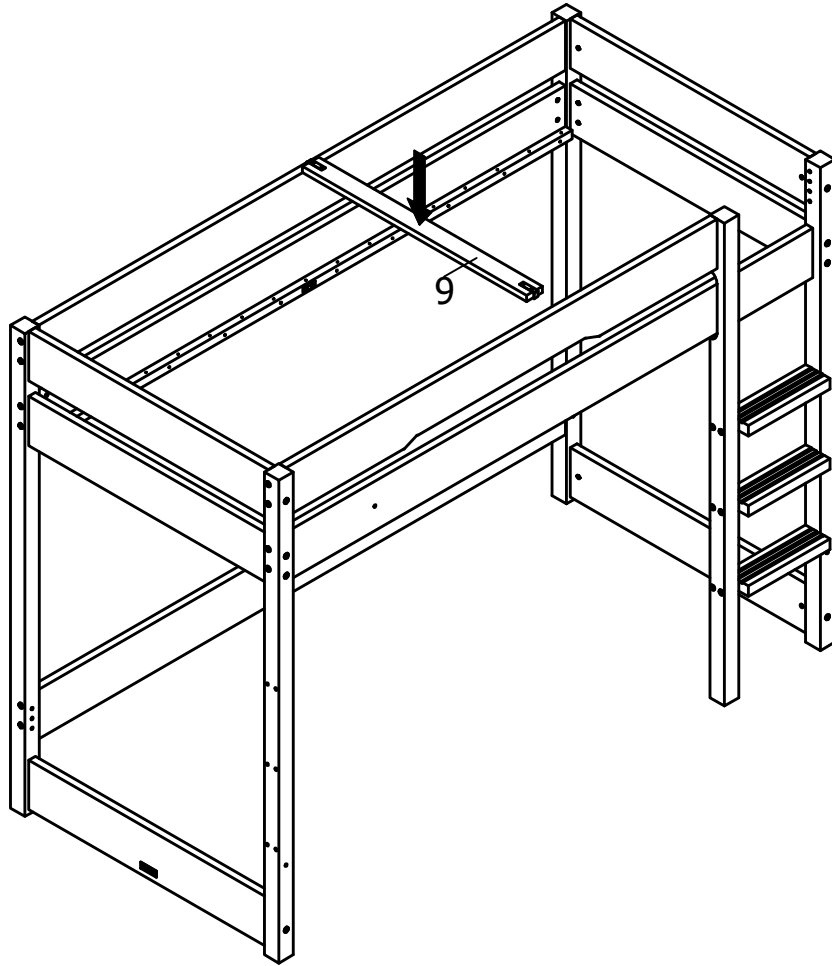
12



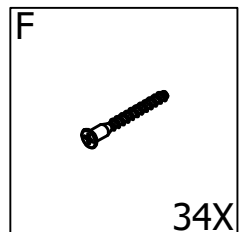
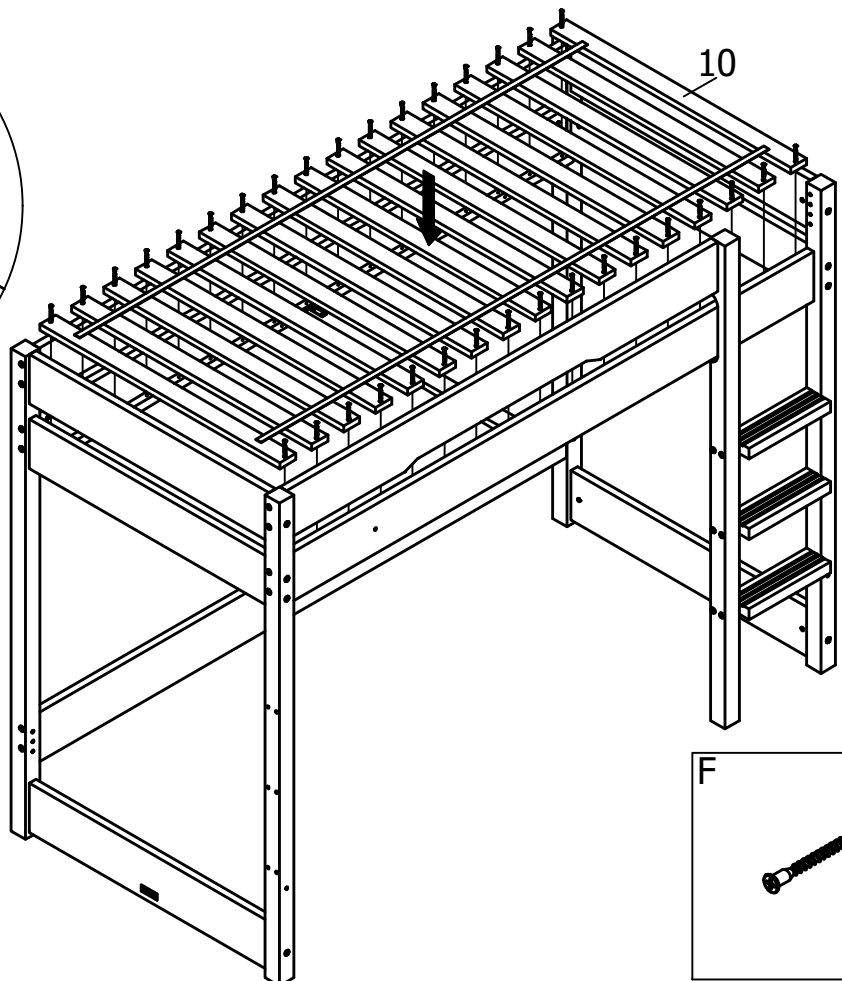
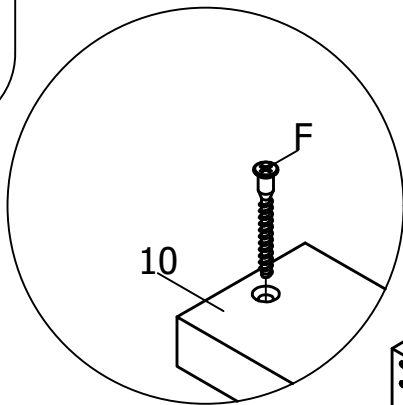
13



14



15



LUCAS

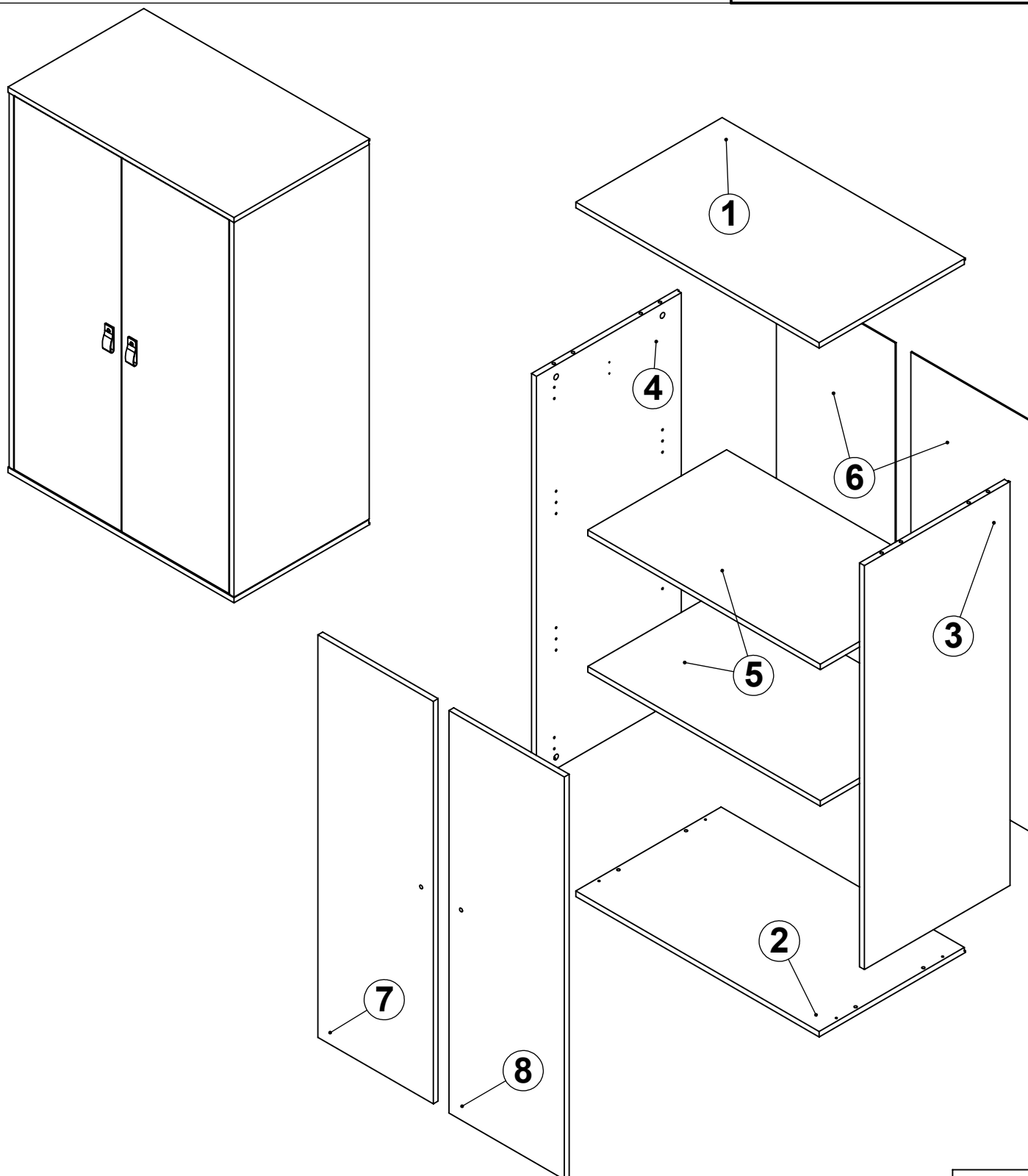
001 / 21/07/2023

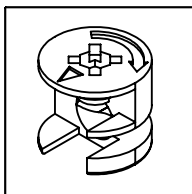
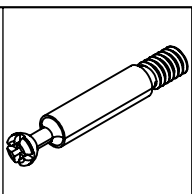
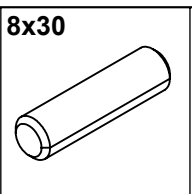
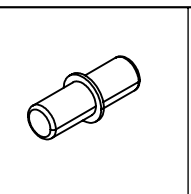
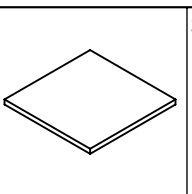
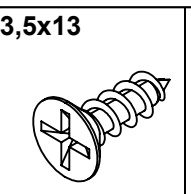
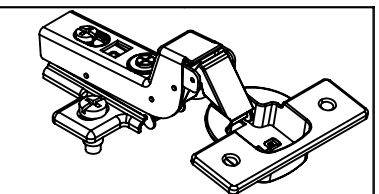
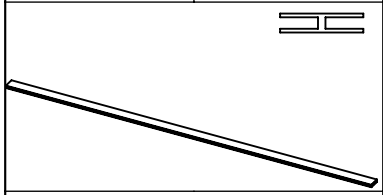
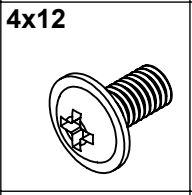
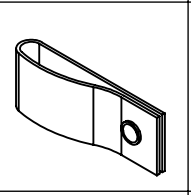
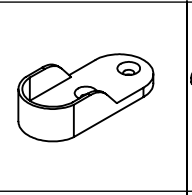
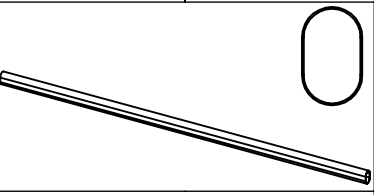
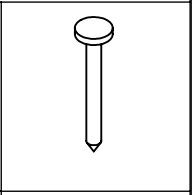
CABINET 2D HS


ART CODE: 441 23 201

bopita®

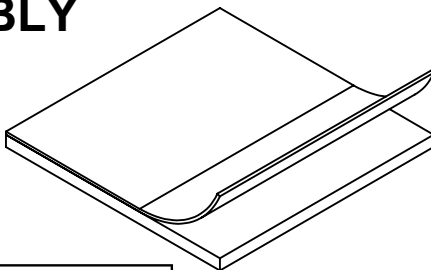
"BOPITA"
LION INTERNATIONAL B.V.
ENERGIEWEG 1
6662 NS ELST GLD
NEDERLAND
www.bopita.com

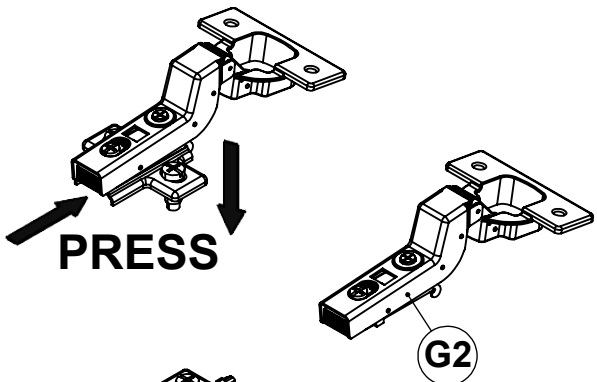


		8x30 			3,5x13 		
A x 8	B x 8	C x 8	D x 8	E x 4	F x 12	G1/G2 x 2/2	
		4x12 					
H x 1		I x 2	J x 2	K x 2	L x 3		M x 28

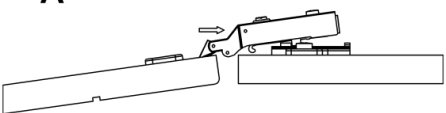

IMBUS

BEFORE ASSEMBLY

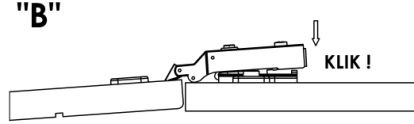


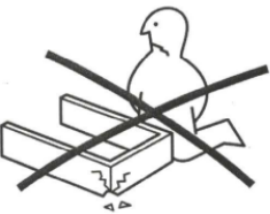


PRESS

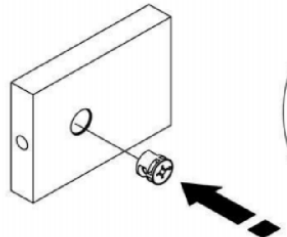
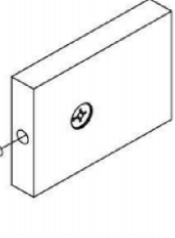
"A"

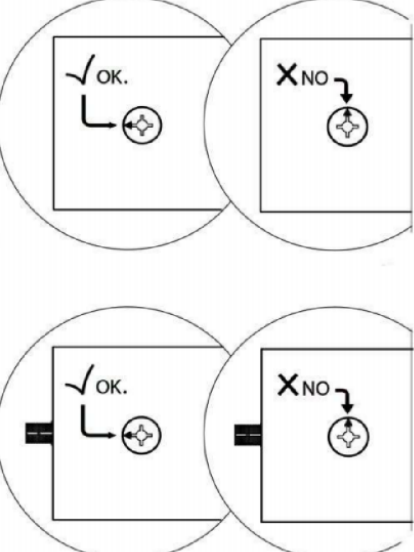


"B"

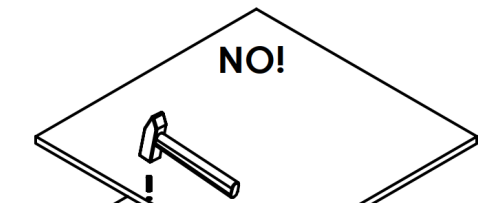


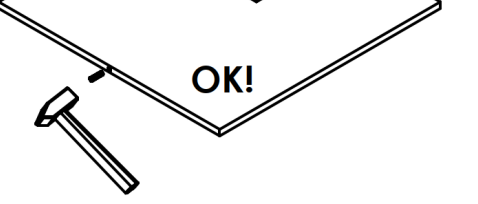



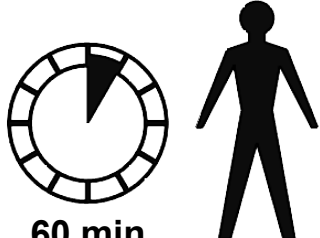


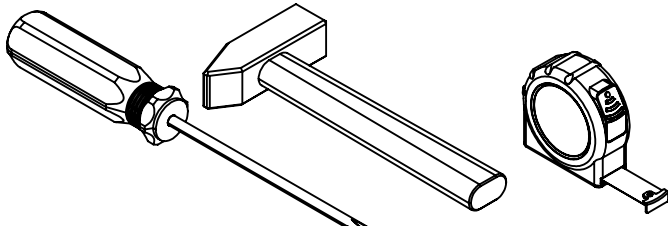
NO!



OK!

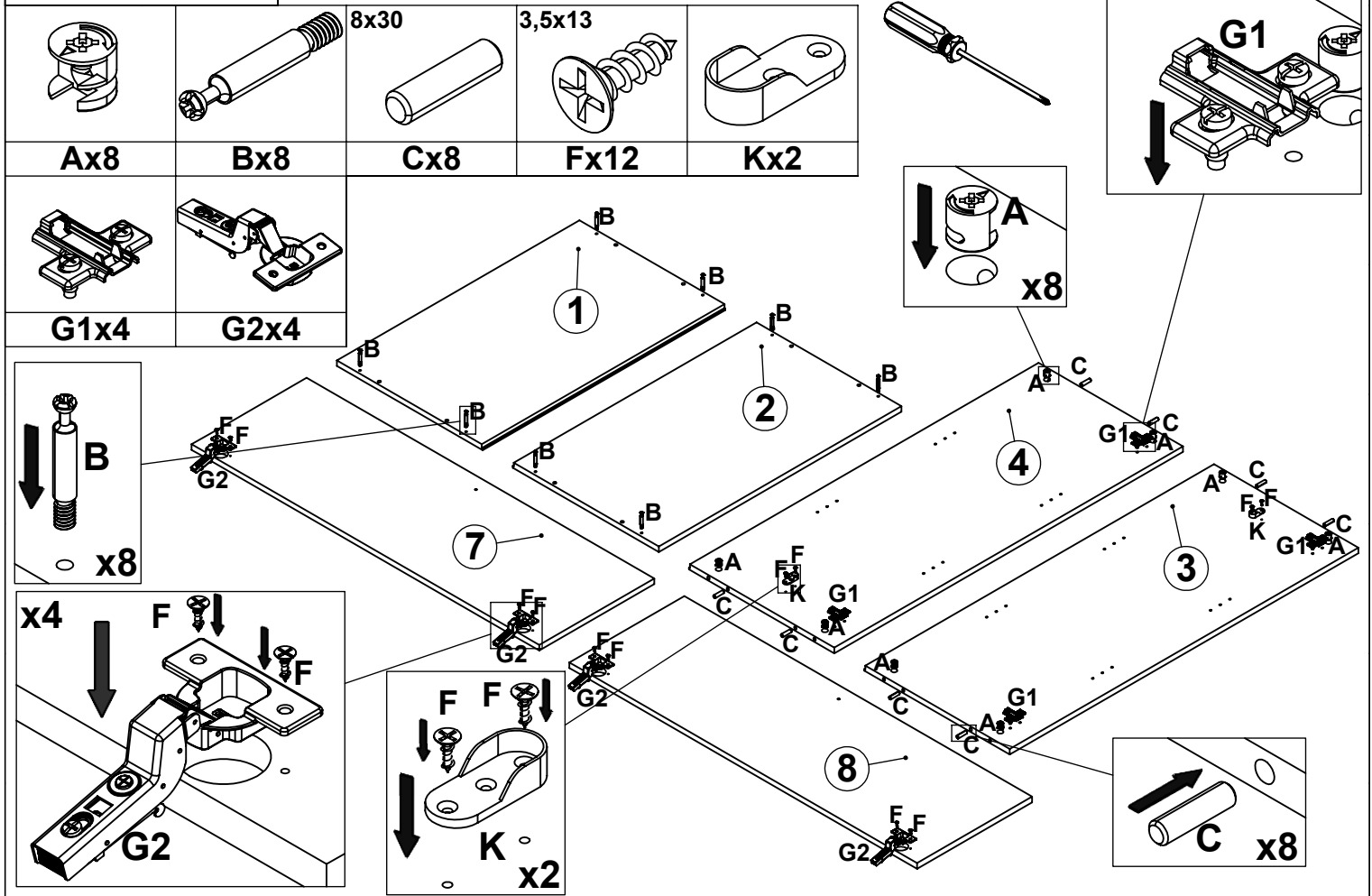



60 min.

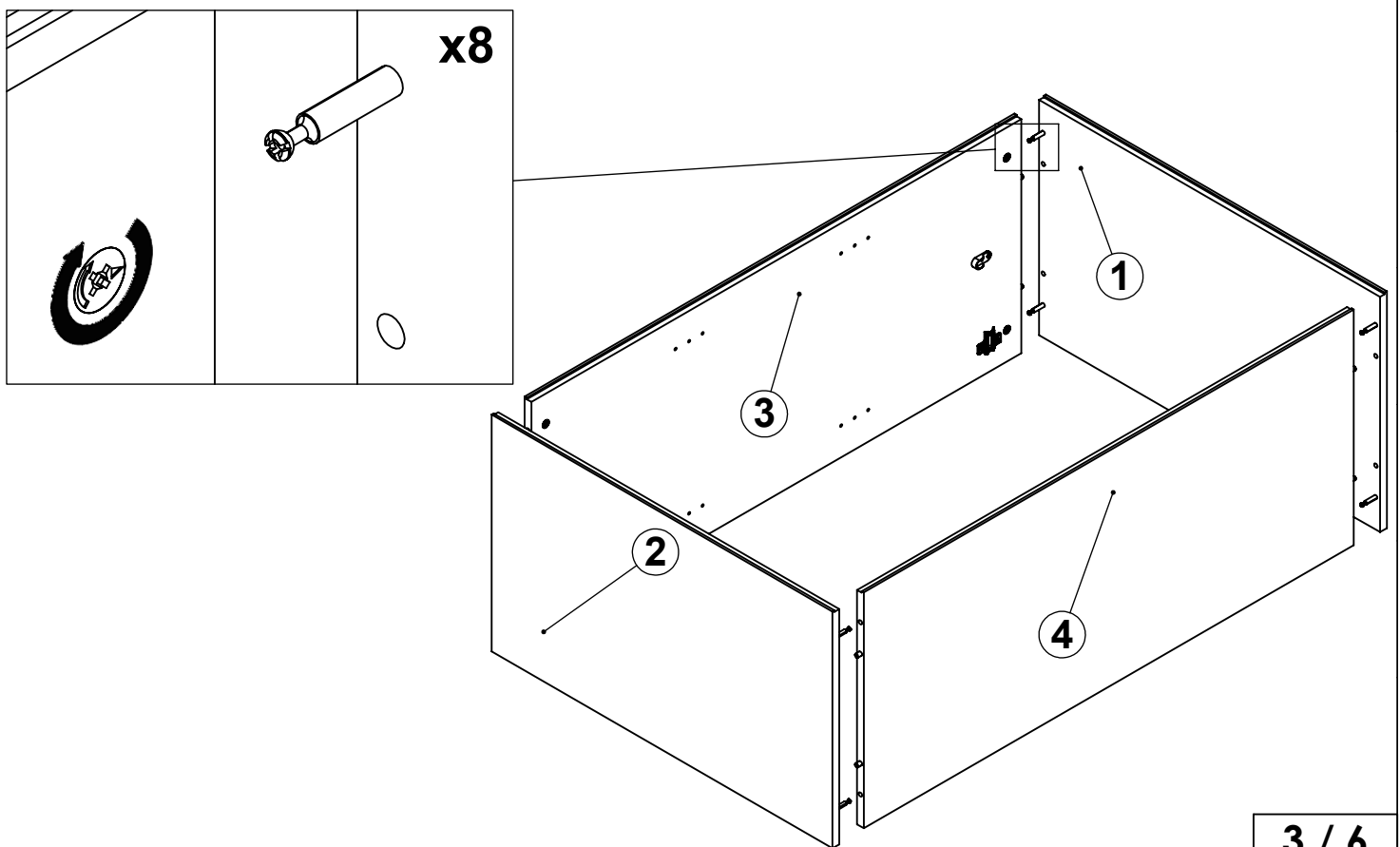


2 / 6

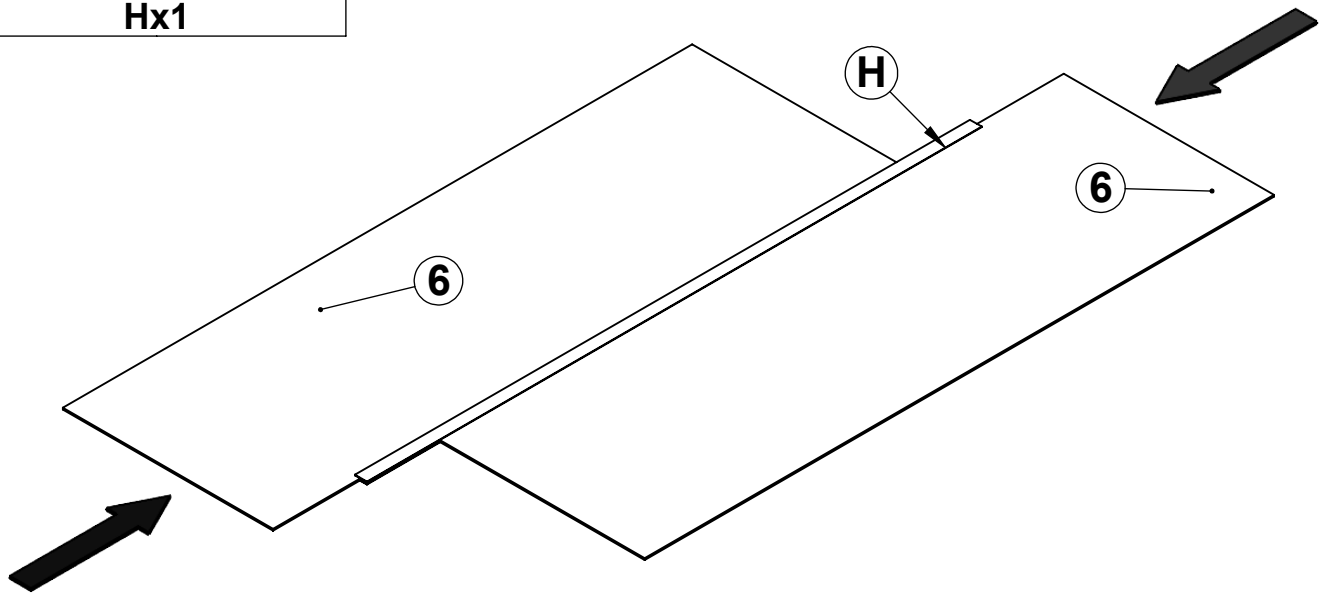
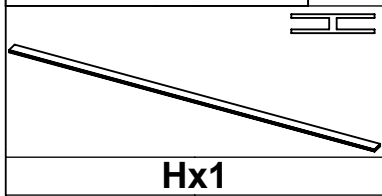
STEP - 1



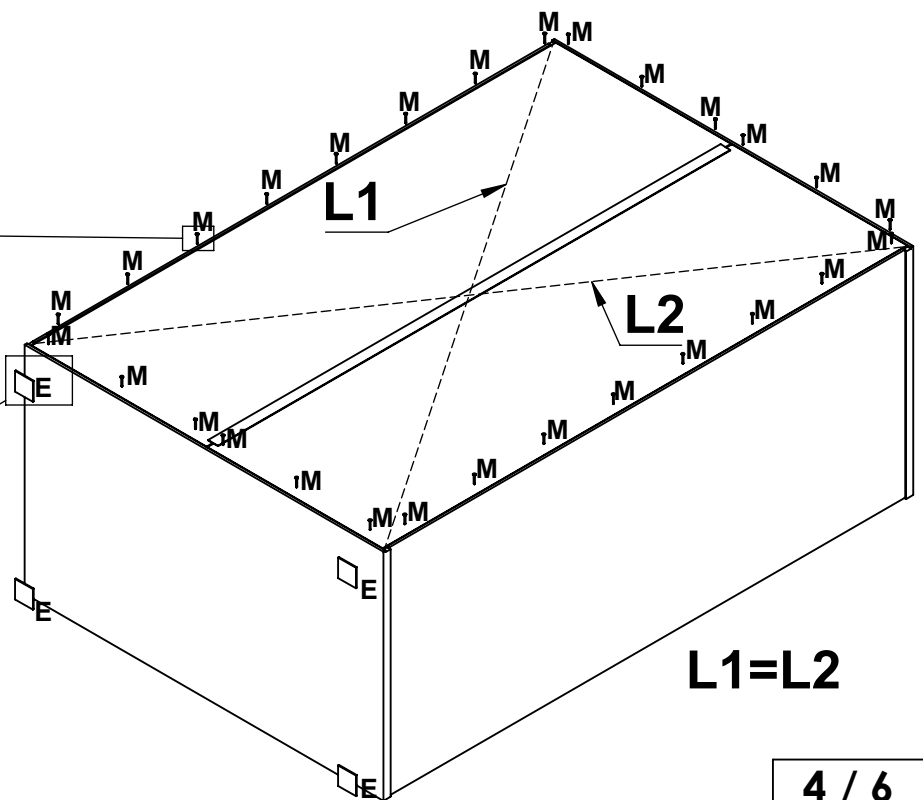
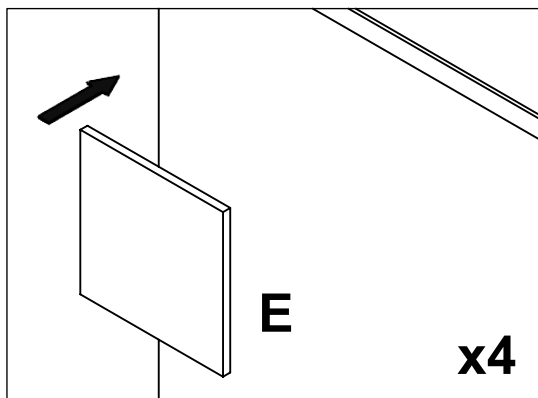
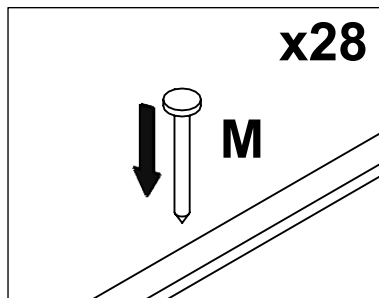
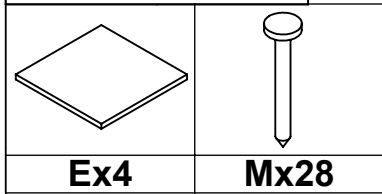
STEP - 2



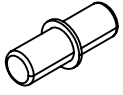
STEP - 3



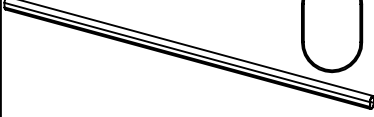
STEP - 4



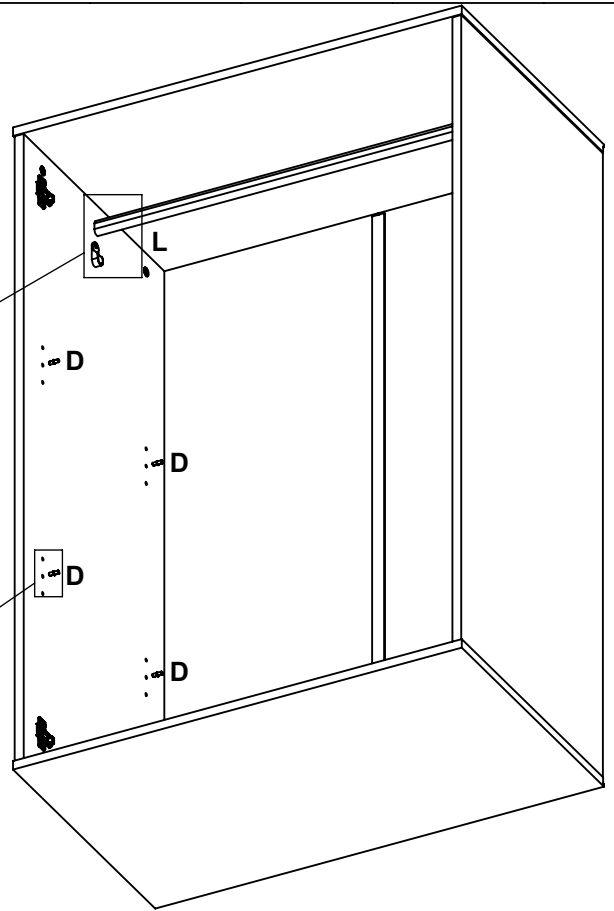
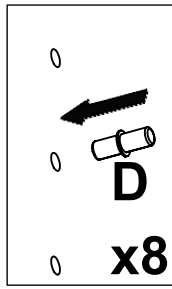
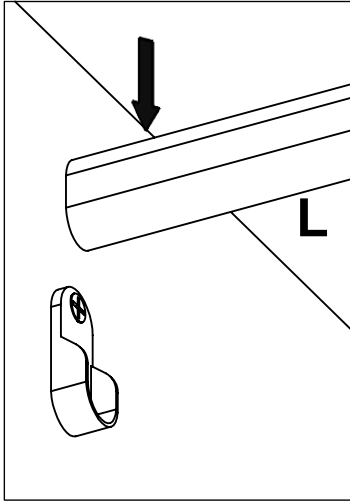
STEP - 5



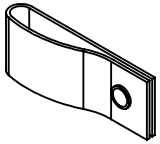
Dx8



Lx1

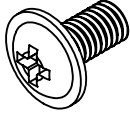


STEP - 6

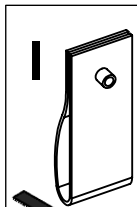
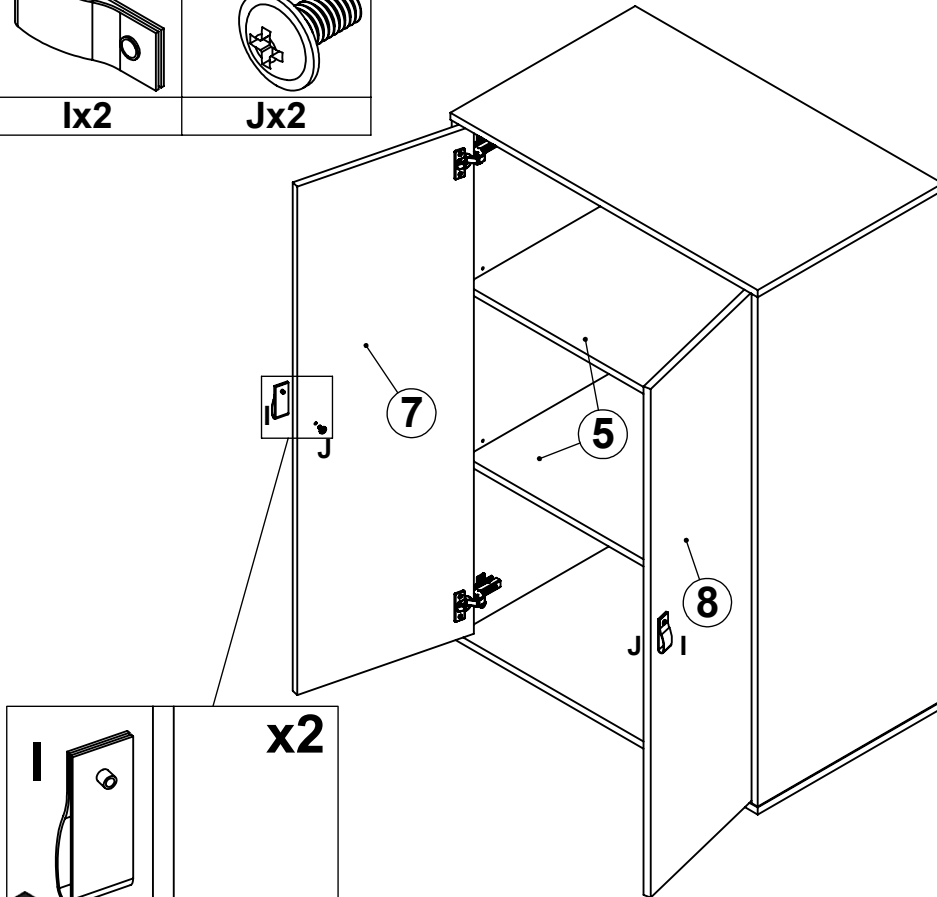


Ix2

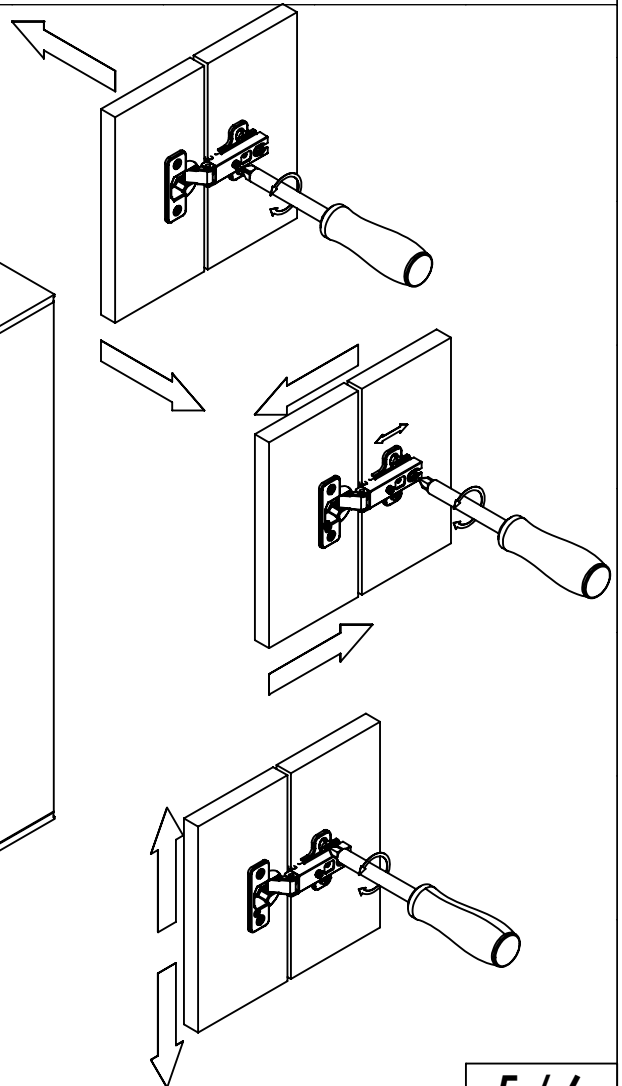
4x12



Jx2



x2



QC-CODE

(UK) for service requests

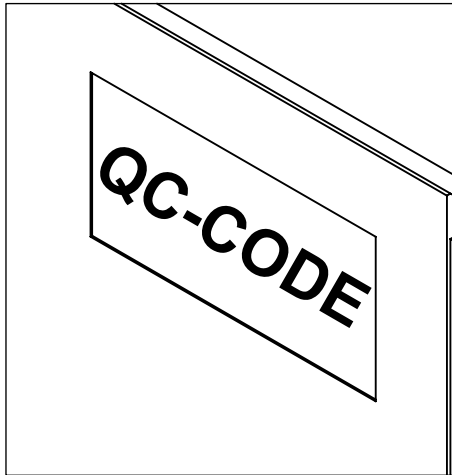
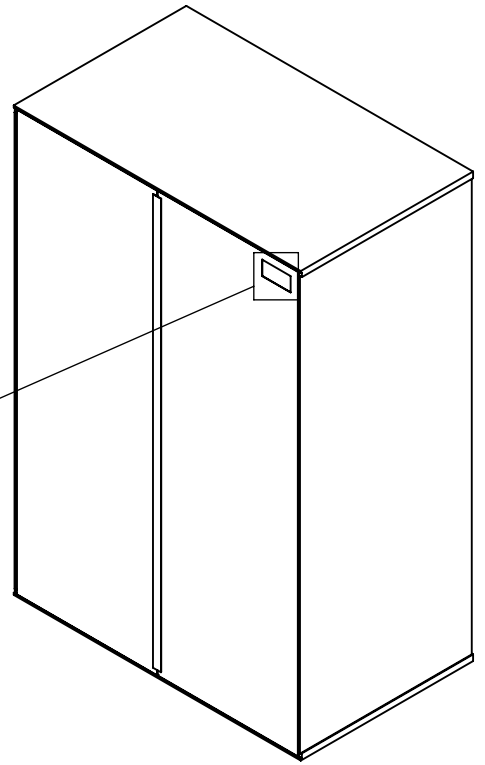
(NL) voor service vragen

(FR) pour les demandes de service

(DE) für Service Anfragen

(ES) para consultas de servicio

(IT) per richieste di assistenza



LUCAS

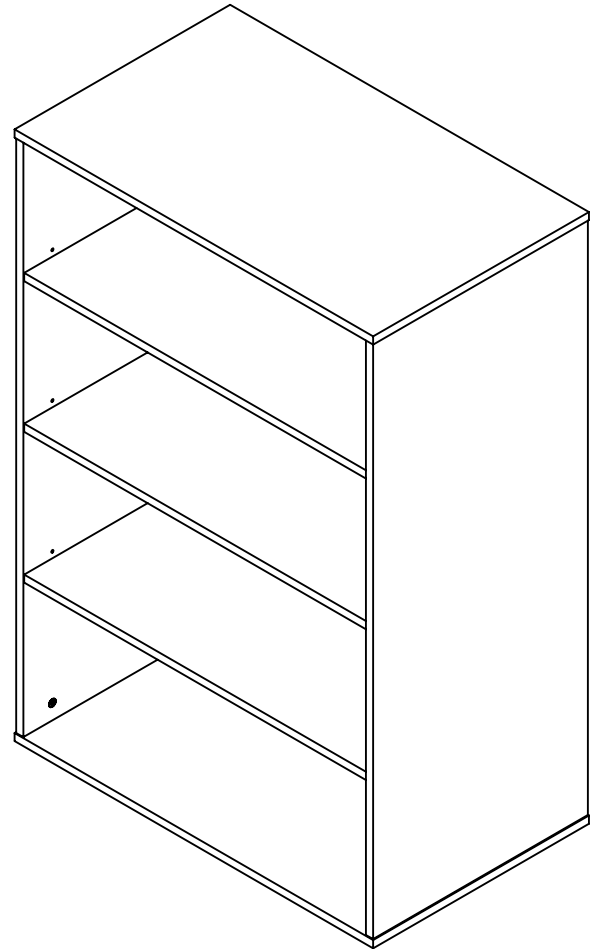
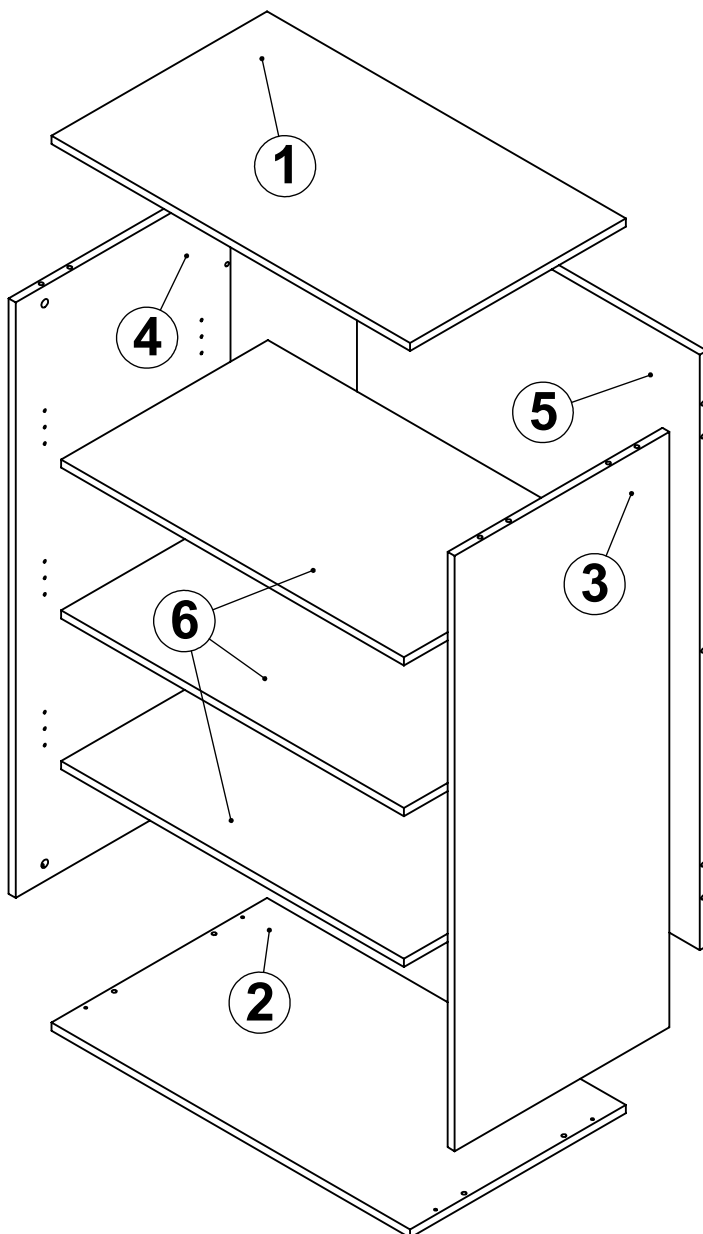
001 / 12/07/2023


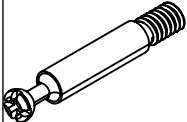
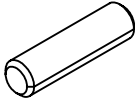
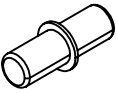
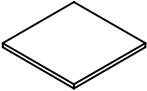

BOOKCASE LARGE HS

ART CODE: 446 23 201

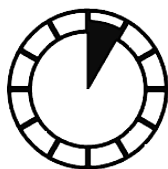
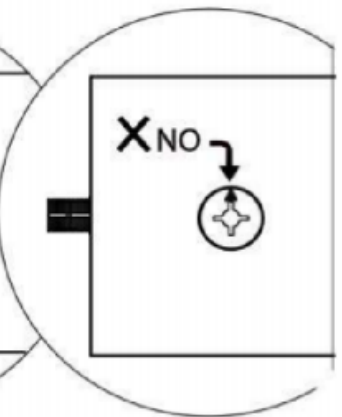
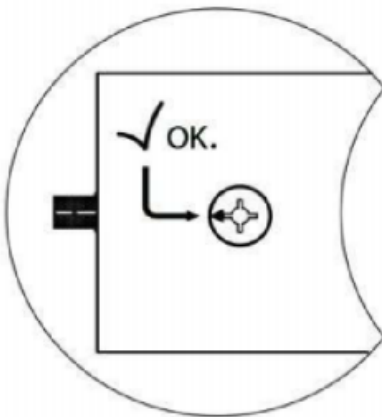
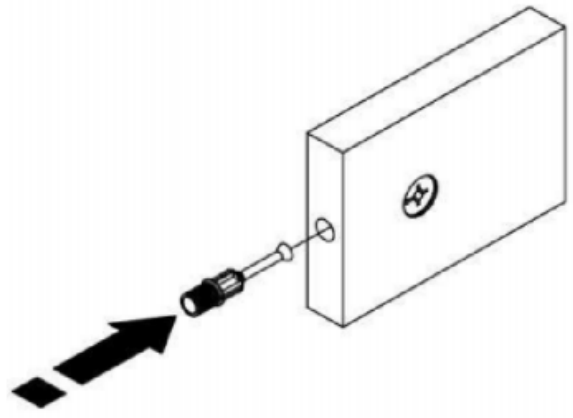
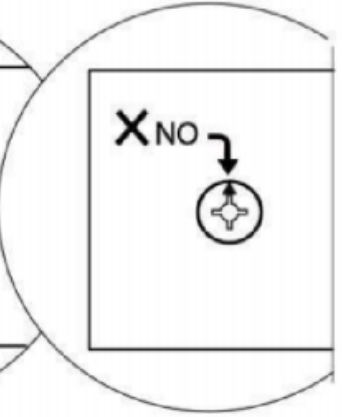
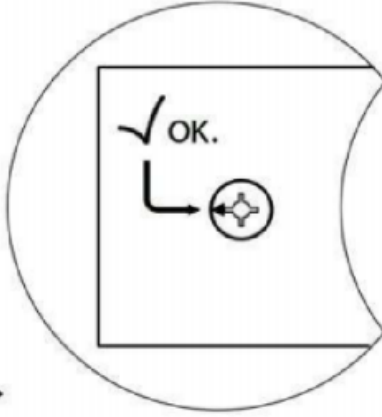
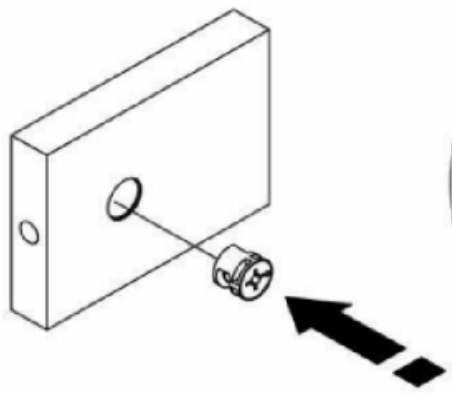
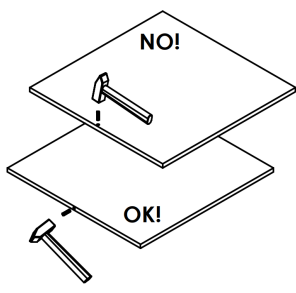
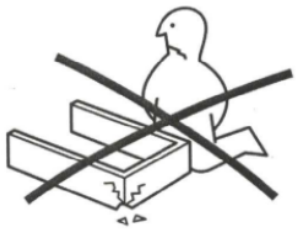
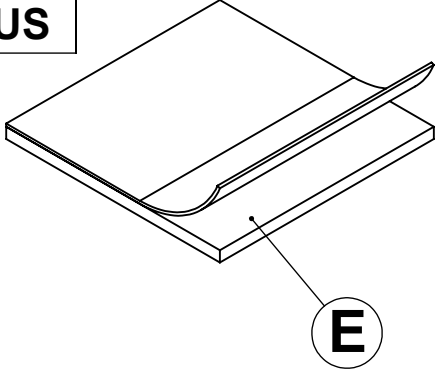
bopita®

"BOPITA"
LION INTERNATIONAL B.V.
ENERGIEWEG 1
6662 NS ELST GLD
NEDERLAND
www.bopita.com

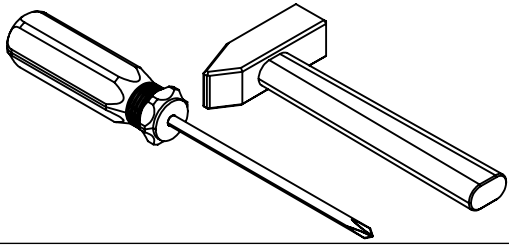


		 8x30			
A x 14	B x 14	C x 12	D x 12	E x 4	IMBUS

BEFORE ASSEMBLY



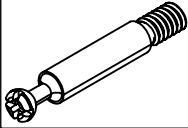
45 min.



STEP - 1

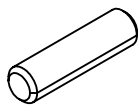


Ax14

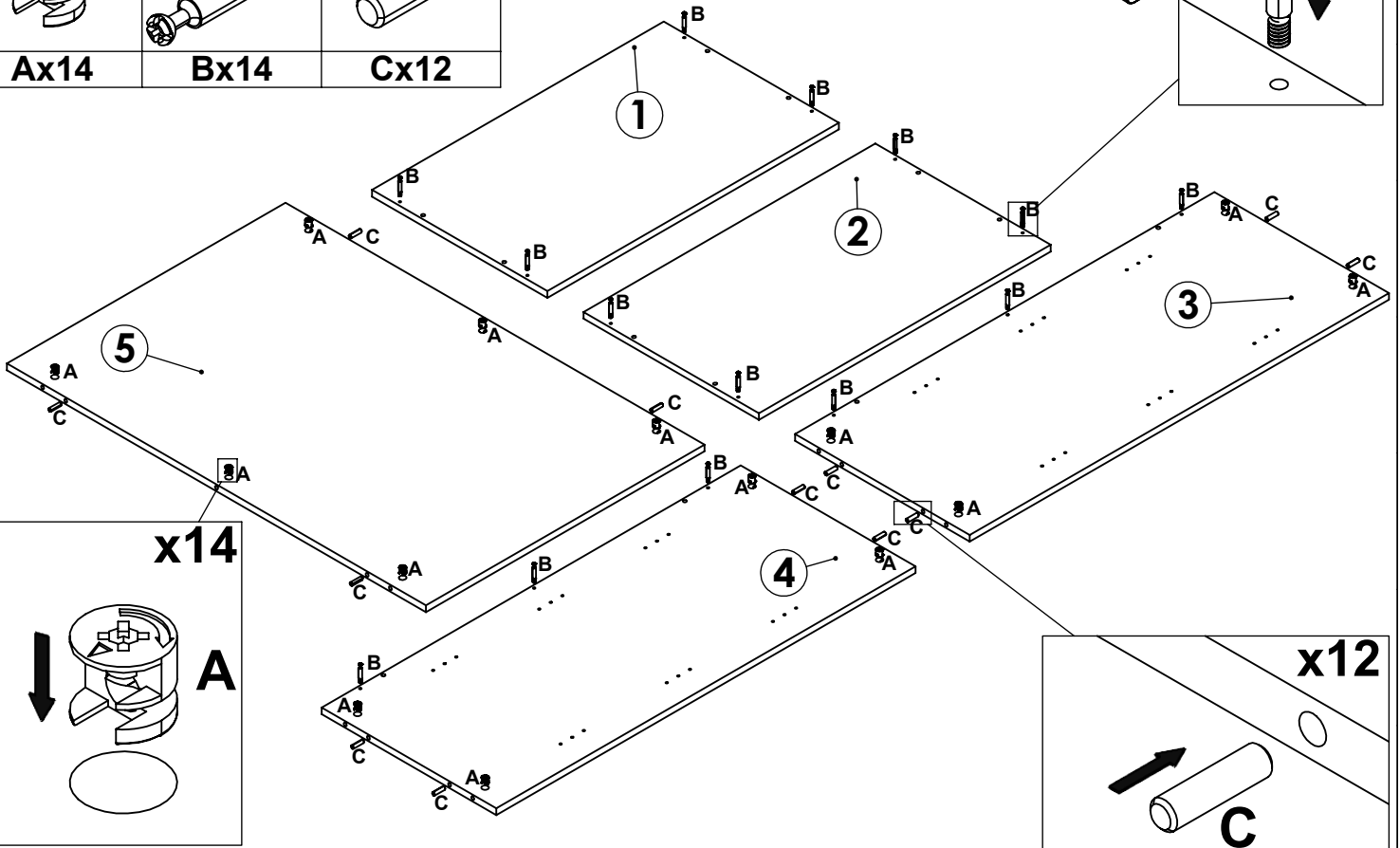
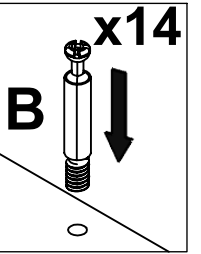
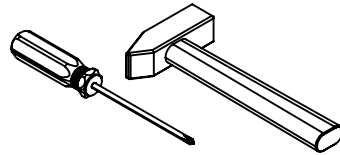


Bx14

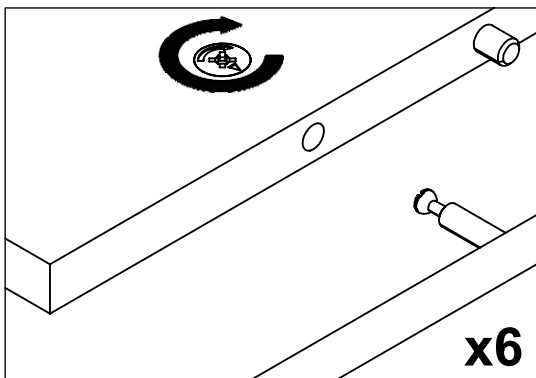
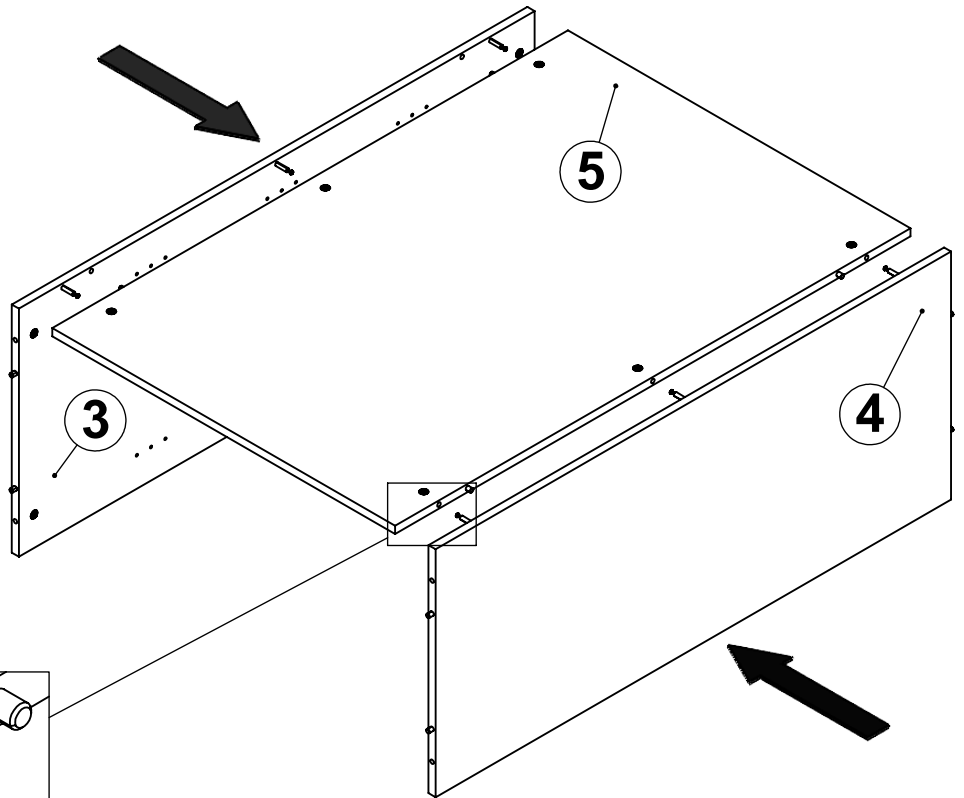
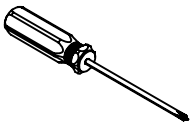
8x30



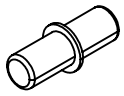
Cx12



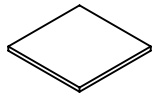
STEP - 2



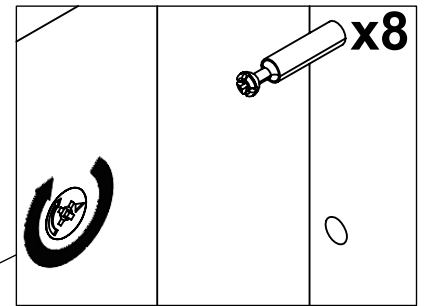
STEP - 3



Dx12



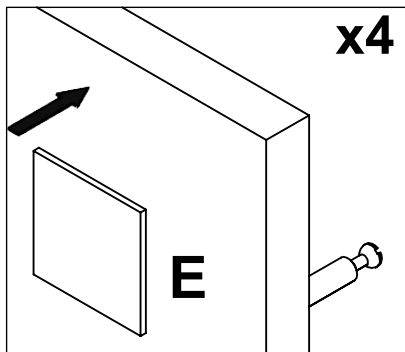
Ex4



x12

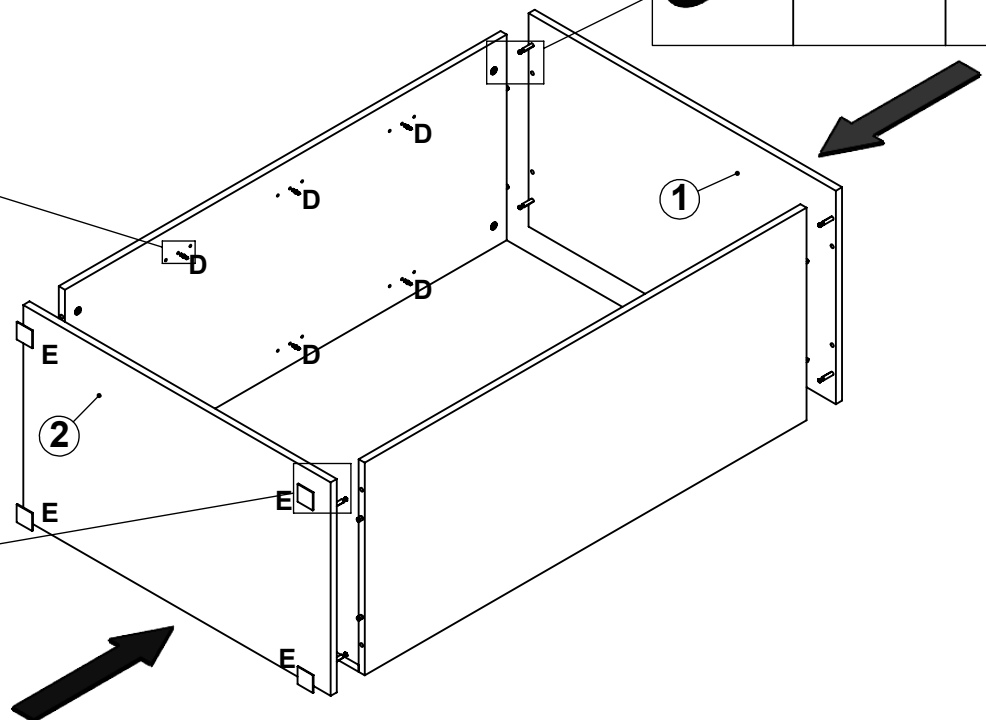


D

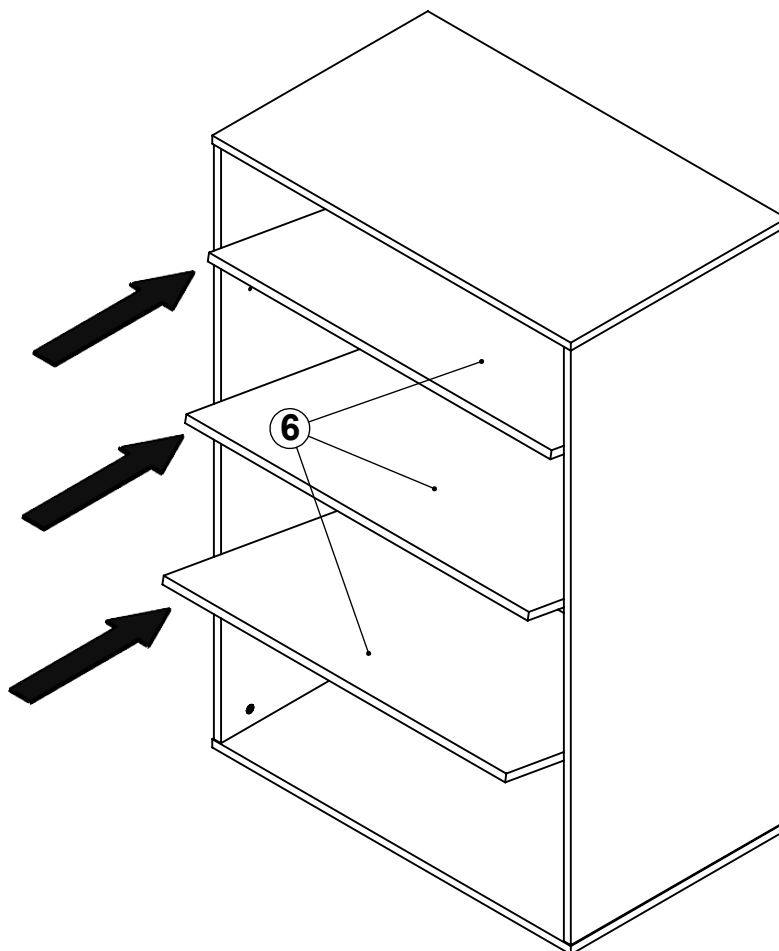


x4

E



STEP - 4



QC-CODE

(UK) for service requests

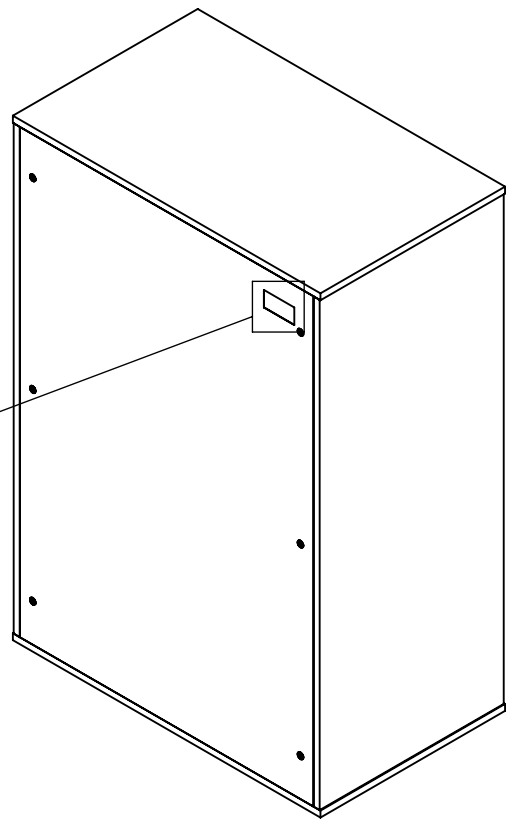
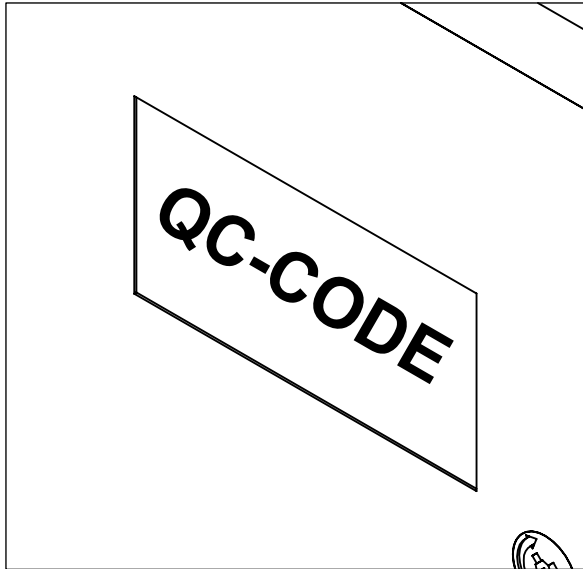
(NL) voor service vragen

(FR) pour les demandes de service

(DE) für Service Anfragen

(ES) para consultas de servicio

(IT) per richieste di assistenza



LUCAS

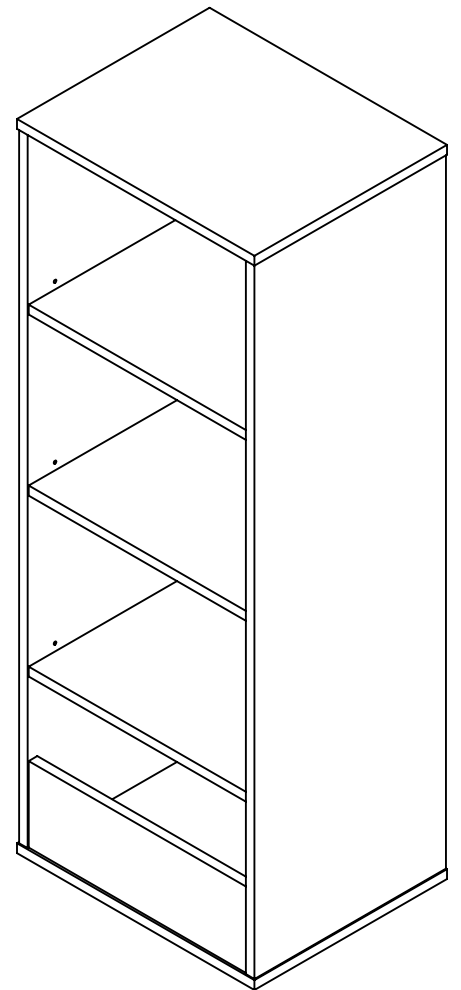
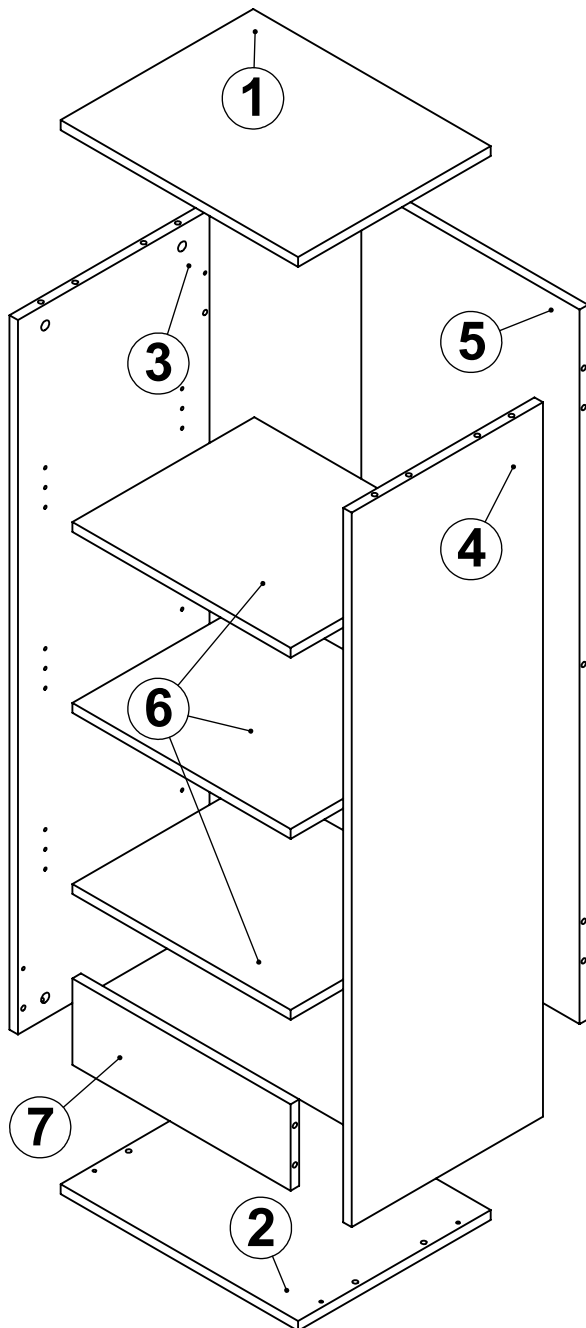
002 / 317/2023


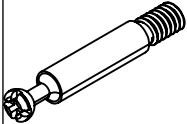
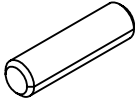
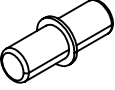
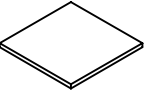

BOOKCASE SMALL HS

ART CODE: 456 23 201

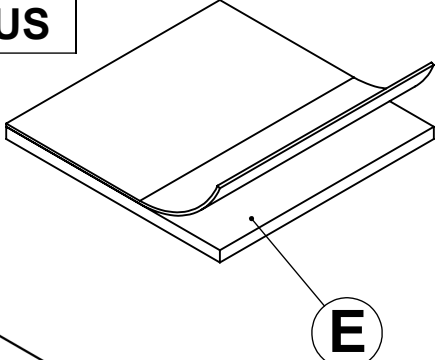
bopita®

"BOPITA"
LION INTERNATIONAL B.V.
ENERGIEWEG 1
6662 NS ELST GLD
NEDERLAND
www.bopita.com

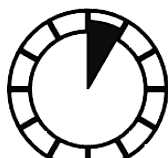
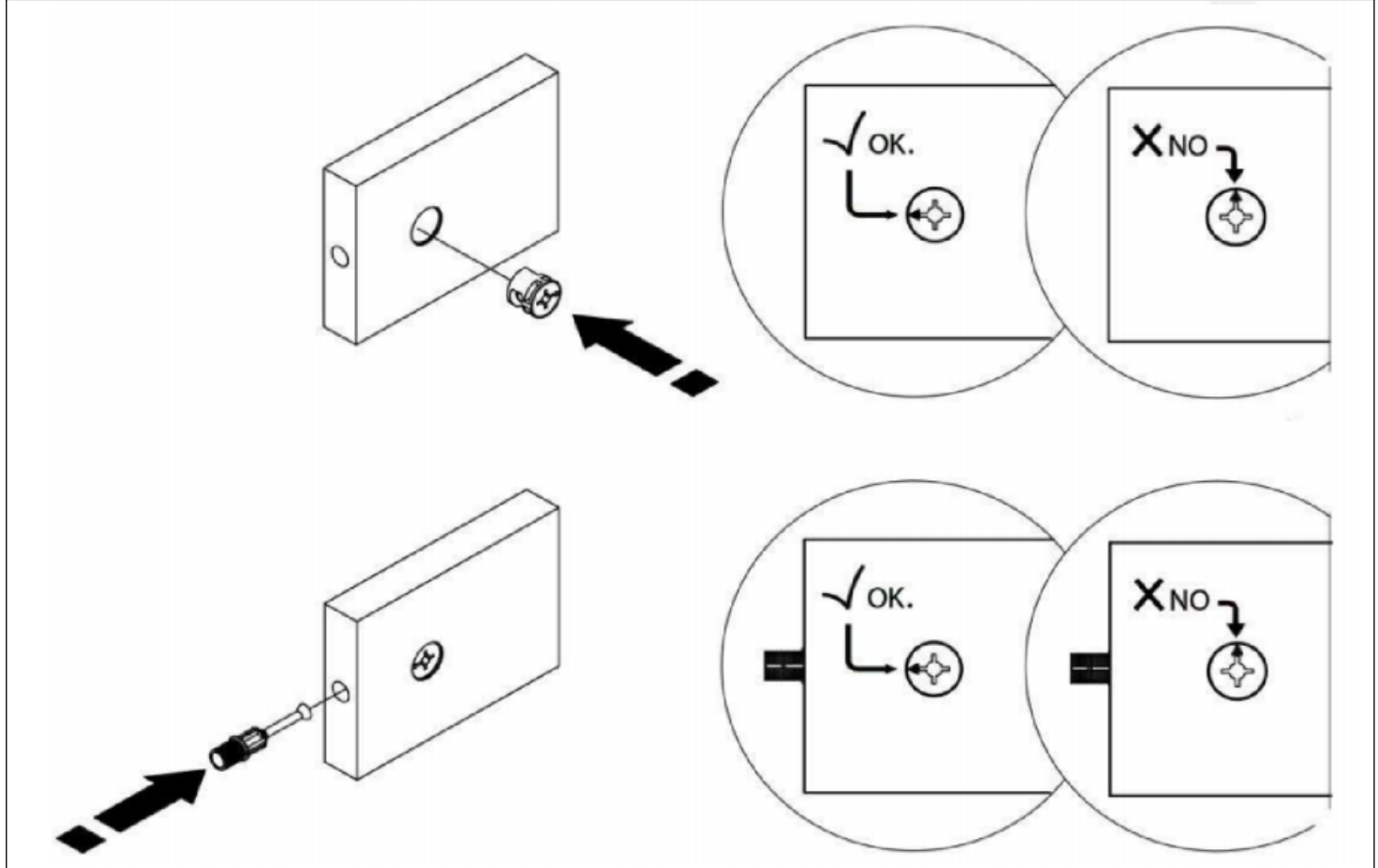
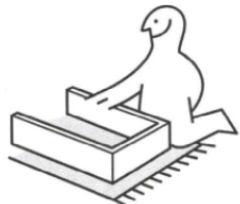
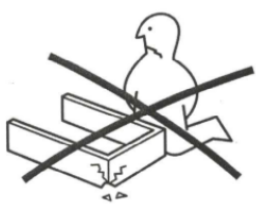
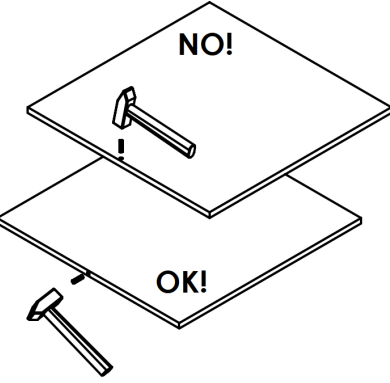


		 8x30			
A x 16	B x 16	C x 14	D x 12	E x 4	IMBUS

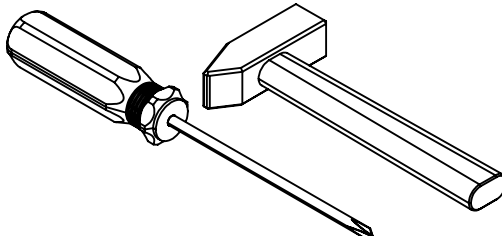
BEFORE ASSEMBLY



E



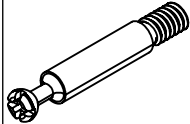
45 min.



STEP - 1

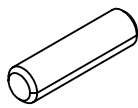


Ax16



Bx16

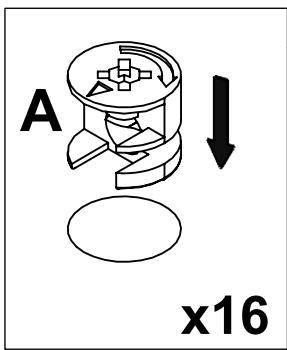
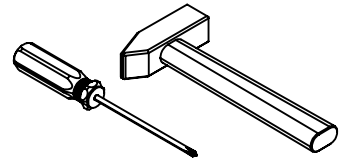
8x30



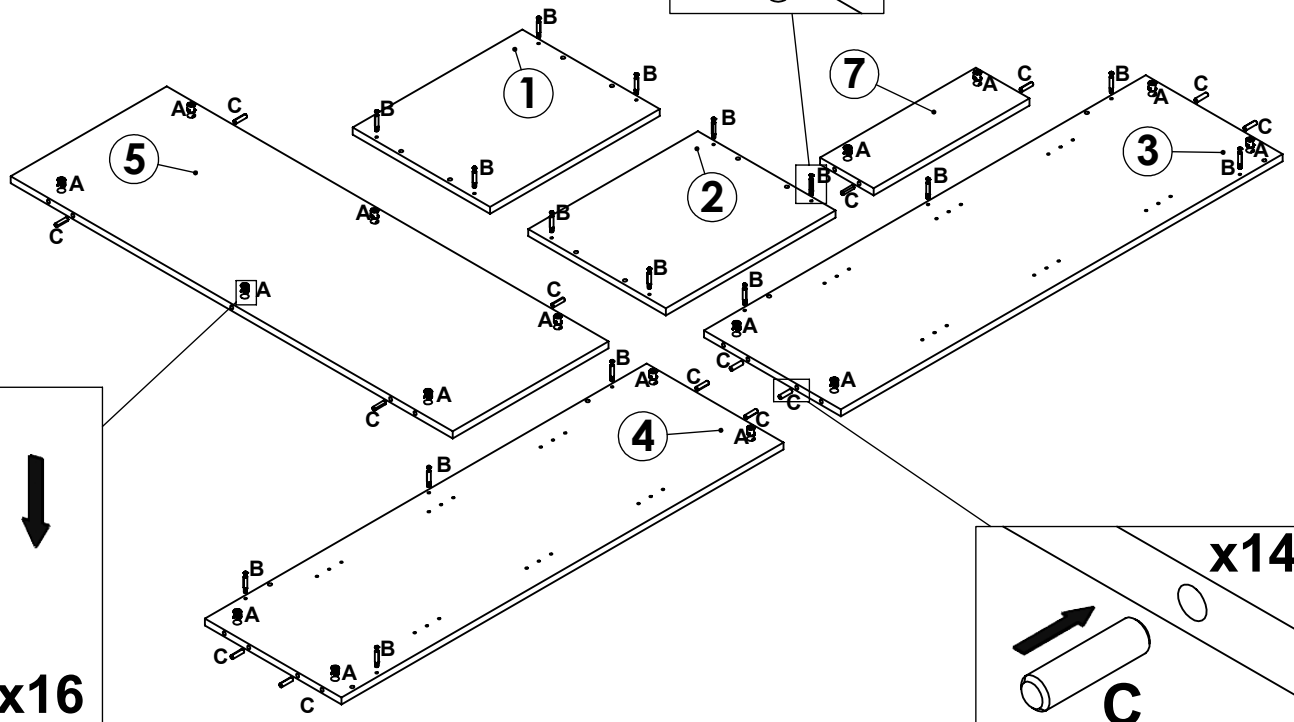
Cx14

x16

B



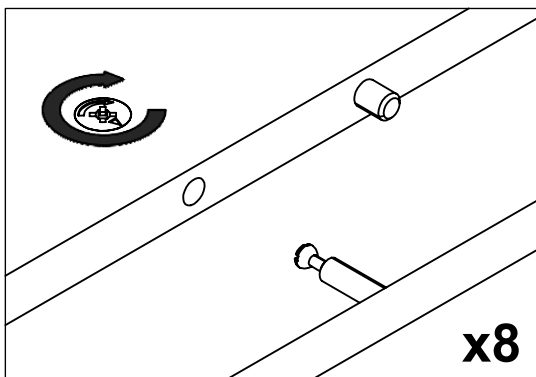
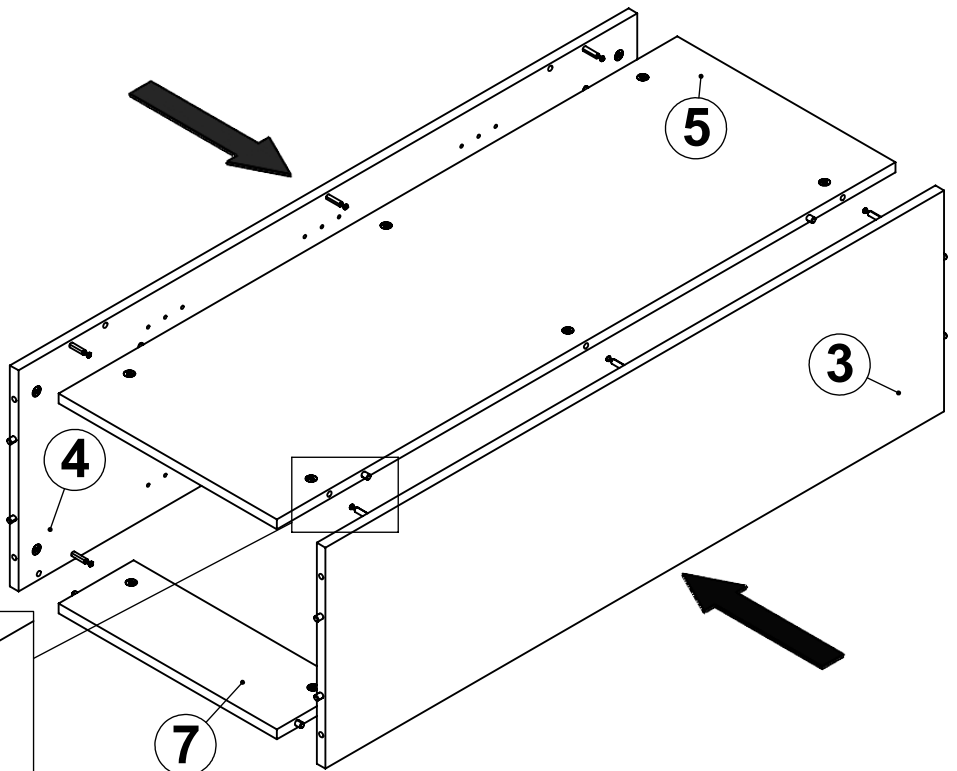
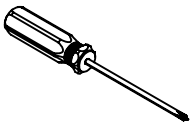
x16



x14

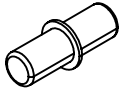
C

STEP - 2

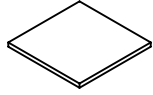


x8

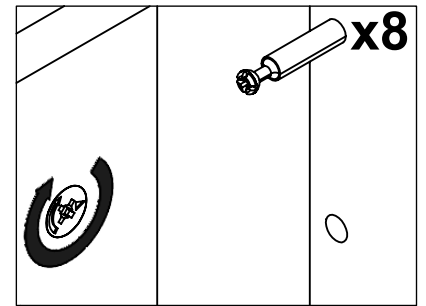
STEP - 3



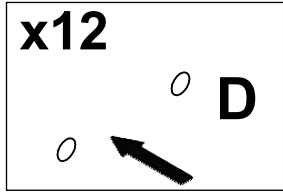
Dx12



Ex4

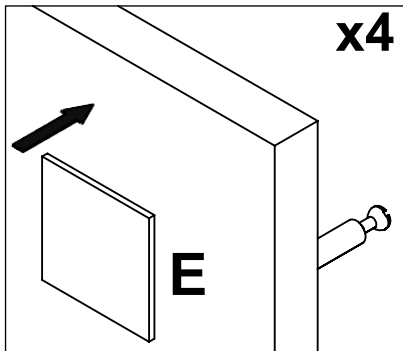


x8



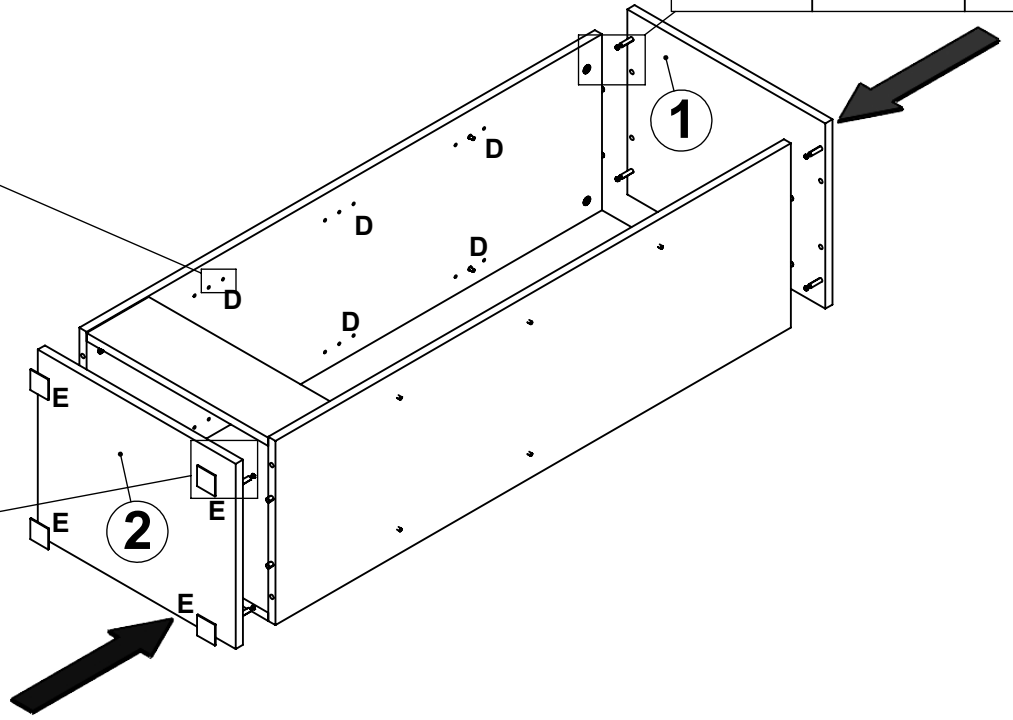
x12

D

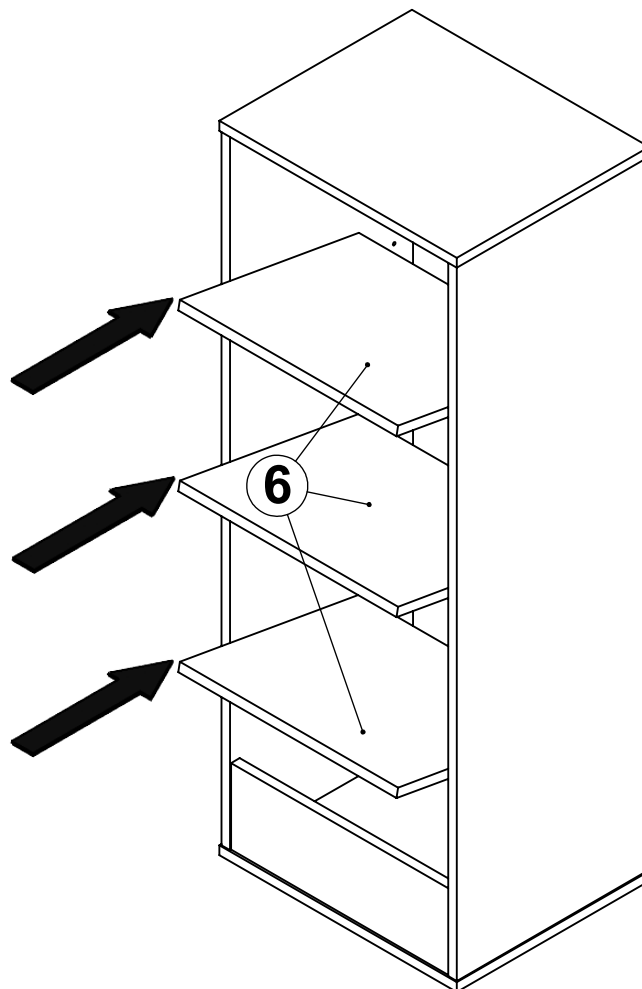


x4

E



STEP - 4



QC-CODE

(UK) for service requests

(NL) voor service vragen

(FR) pour les demandes de service

(DE) für Service Anfragen

(ES) para consultas de servicio

(IT) per richieste di assistenza

